

BÖLÜM 3

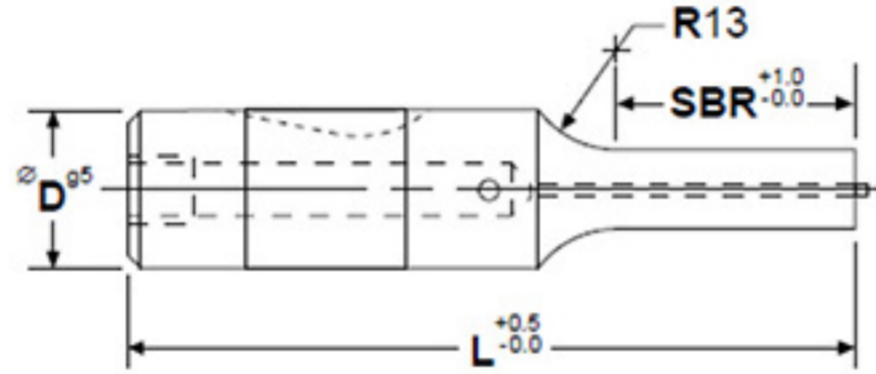
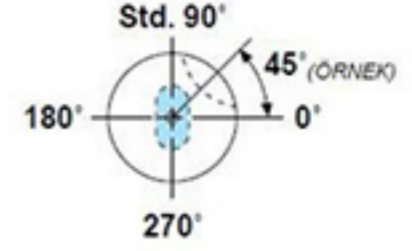
ZİMBALAR VE AKSESUARLARI

- 1 BİLYALI ZİMBALAR
- 2 ŞAPKALI ZİMBALAR
- 3 HAVŞA BAŞLI ZİMBALAR
- 4 MATRİSLER
- 5 ZİMBA TUTUCULAR VE AKSESUARLARI
- 6 POLİÜRETAN SIYIRICILAR
- 7 BİLYALI NUMARATÖR TUTUCU TAKIMI
- 8 HIZLI DELİK SETLERİ
- 9 ÖZEL FORMLAR
- 10 KONUMLAMA STANDARTLARI

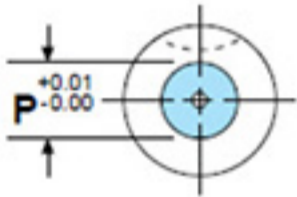
BİLYALI KADEMELİ ZIMBA



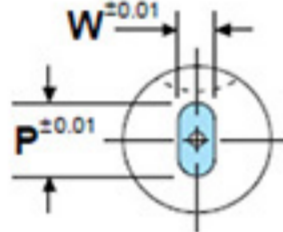
BİLYA YUVASI AÇISI



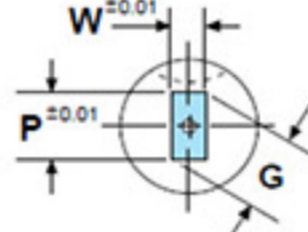
BEHR / BPHR YUVARLAK



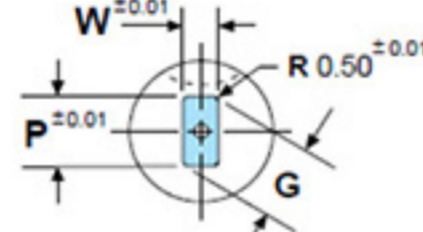
BEHO / BPHO SLOT



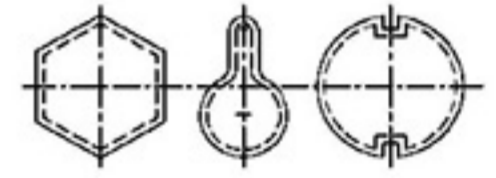
BEHS / BPHS DİKDÖRTGEN



BEHH / BPHH YÜKSEK ADET



BEHC / BPHC ÖZEL FORM



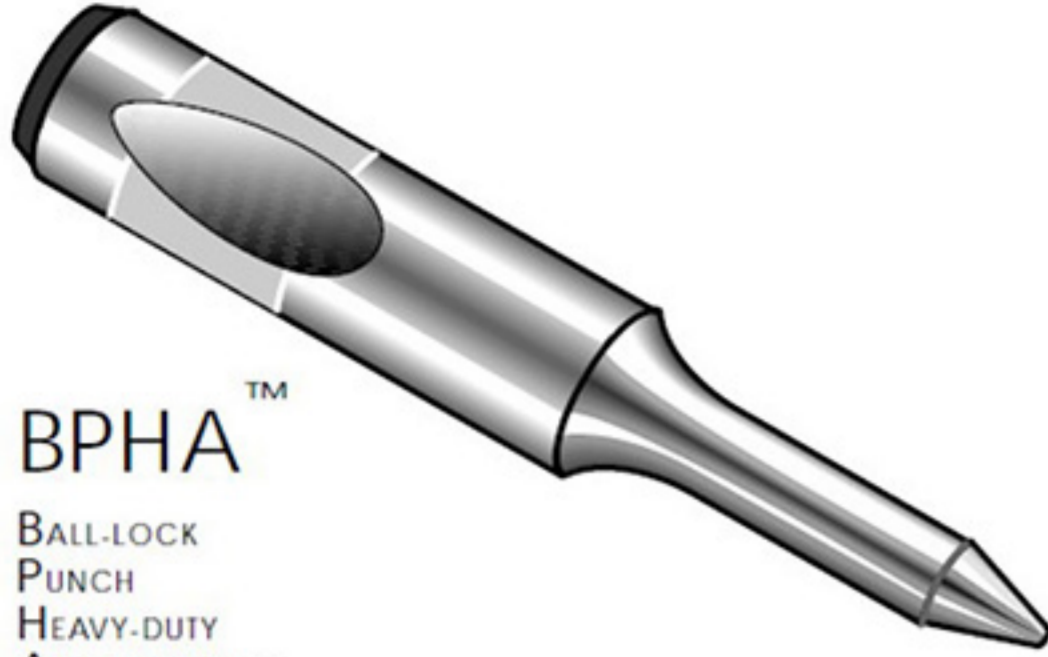
İTİCİLİ

TİP	D	SBR					L								P	W	İTİCİ TİPİ
		10	13	19	25	32	63	71	80	90	100	110	125				
BEH_	10	10	13	19			63	71	80	90	100	110		2,9	2,9	E4M	
BEH_	13		13	19			63	71	80	90	100	110	125	4,0	4,0	E6M	
BEH_	16		13	19	25		63	71	80	90	100	110	125	6,0	6,0	E9M	
BEH_	20		13	19	25		63	71	80	90	100	110	125	6,0	6,0	E9M	
BEH_	25		13	19	25			71	80	90	100	110	125	8,0	8,0	E9M	
BEH_	32		13	19	25			71	80	90	100	110	125	10,0	10,0	E12M	
BEH_	40			19	25	32			80	90	100	110	125	12,0	12,0	E12M	

İTİCİSİZ

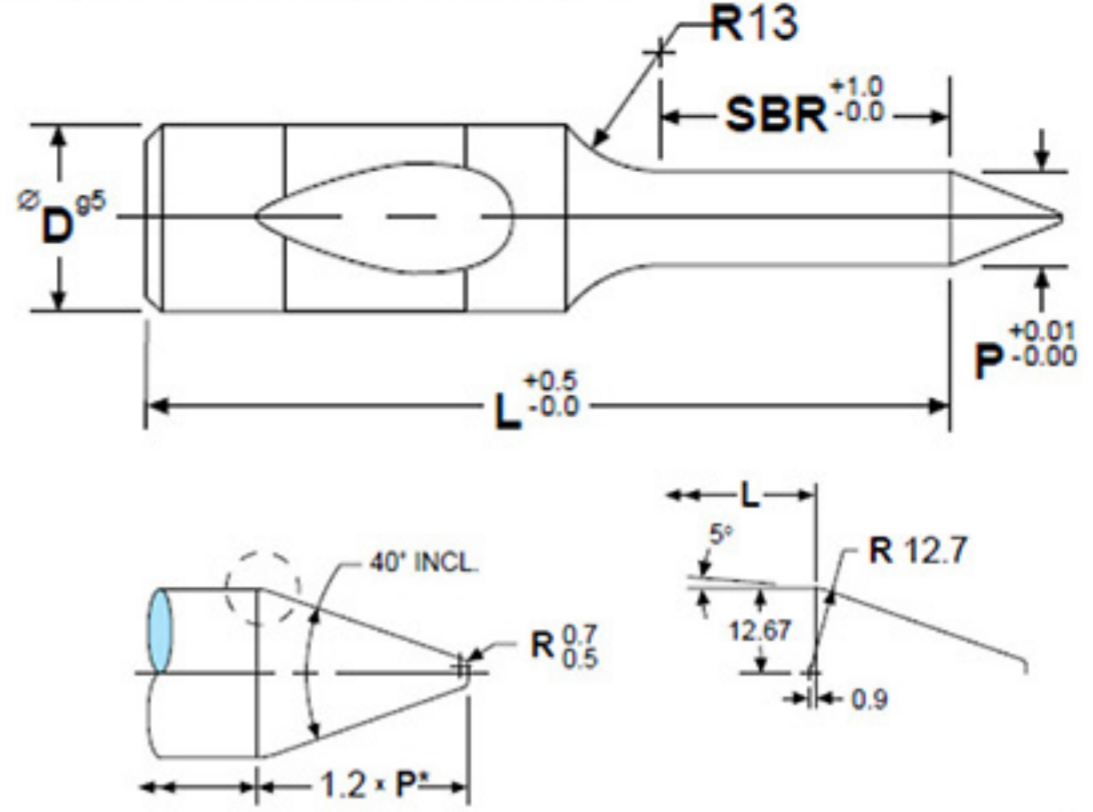
TİP	D	SBR					L								P	W
		10	13	19	25	32	63	71	80	90	100	110	125			
BPH_	10	10	13	19			63	71	80	90	100			1,4	1,4	
BPH_	13		13	19			63	71	80	90	100	110	125	2,1	2,1	
BPH_	16		13	19	25		63	71	80	90	100	110	125	5,0	5,0	
BPH_	20		13	19	25		63	71	80	90	100	110	125	6,0	6,0	
BPH_	25		13	19	25			71	80	90	100	110	125	8,0	8,0	
BPH_	32		13	19	25			71	80	90	100	110	125	10,0	10,0	
BPH_	40			19	25	32			80	90	100	110	125	12,0	12,0	

BİLYALI KONİK KILAVUZ ZIMBA



BPHA™

BALL-LOCK
PUNCH
HEAVY-DUTY
ANGULAR PILOT



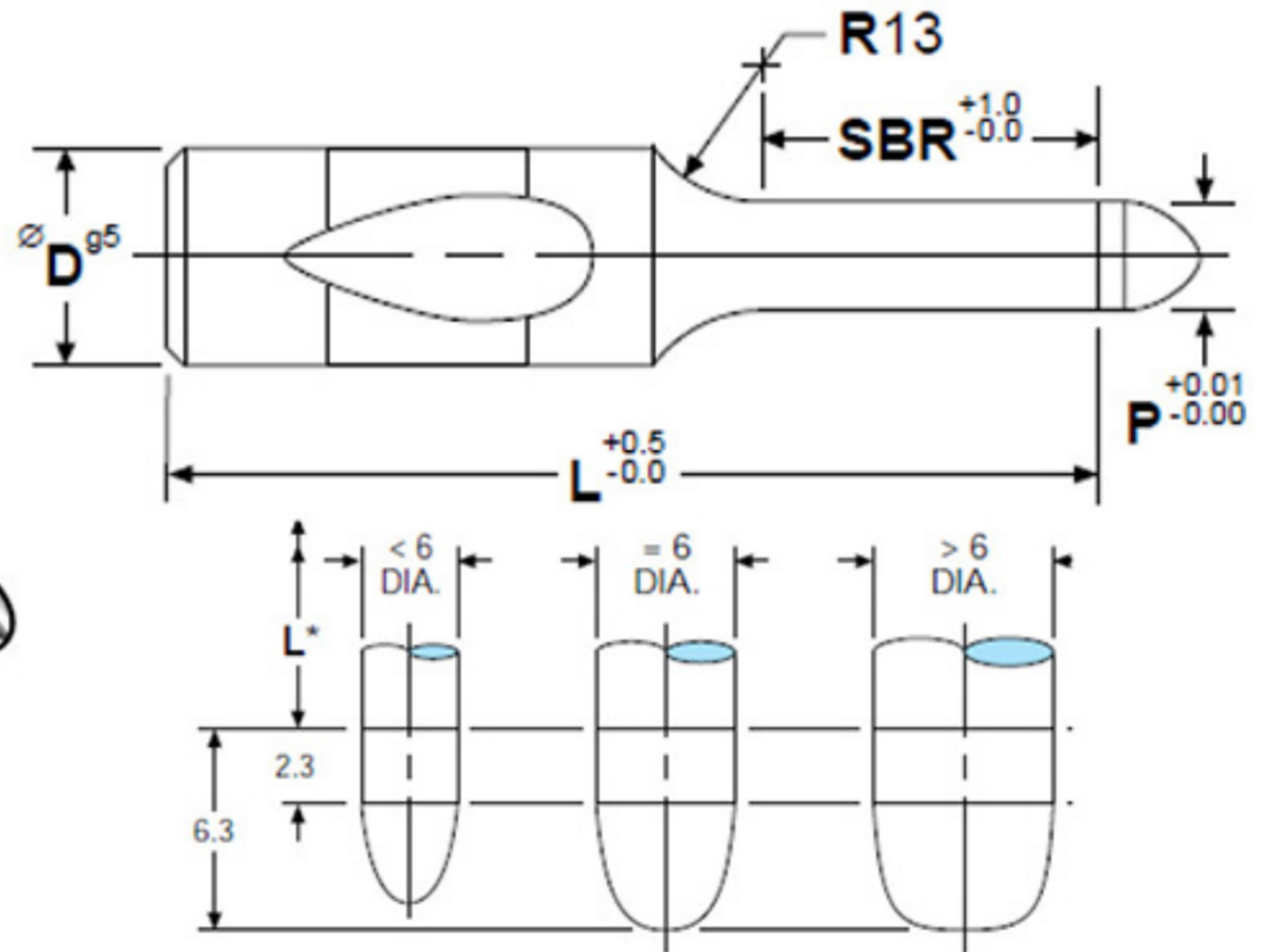
TİP	D	SBR					L										P
		10	13	19	25	32	63	71	80	90	100	110	125	140	150		
BPHA	10	10	13	19			63	71	80	90	100	110				1,3	
BPHA	13		13	19				71	80	90	100	110	125	140		2,0	
BPHA	16		13	19	25			71	80	90	100	110	125	140	150	4,9	
BPHA	20		13	19	25			71	80	90	100	110	125	140	150	5,9	
BPHA	25		13	19	25				80	90	100	110	125	140	150	7,9	
BPHA	32		13	19	25				80	90	100	110	125	140	150	9,9	
BPHA	40			19	25	32			80	90	100	110	125	140	150	11,9	

BİLYALI PARABOLİK KILAVUZ ZIMBA



BPHP™

BALL-LOCK
PUNCH
HEAVY-DUTY
PARABOLIC PILOT

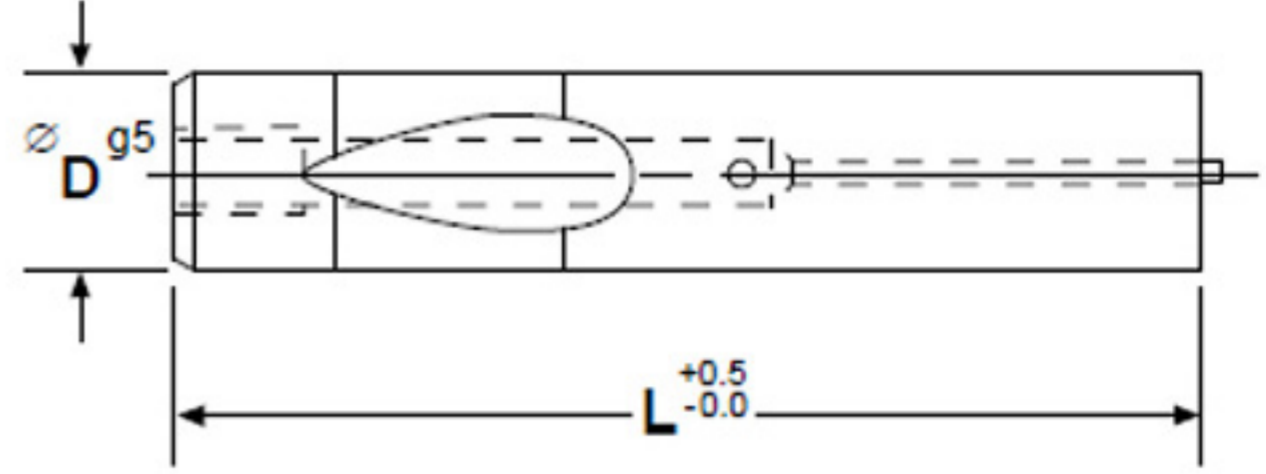


TİP	D	SBR					L										P
		10	13	19	25	32	63	71	80	90	100	110	125				
BPHP	10	10	13	19			63	71	80	90	100				1,3		
BPHP	13		13	19			63	71	80	90	100	110	125		2,0		
BPHP	16		13	19	25		63	71	80	90	100	110	125		4,9		
BPHP	20		13	19	25		63	71	80	90	100	110	125		5,9		
BPHP	25		13	19	25		63	71	80	90	100	110	125		7,9		
BPHP	32		13	19	25			71	80	90	100	110	125		9,9		
BPHP	40			19	25	32			80	90	100	110	125		11,9		

İTİCİLİ BİLYALI ZIMBA

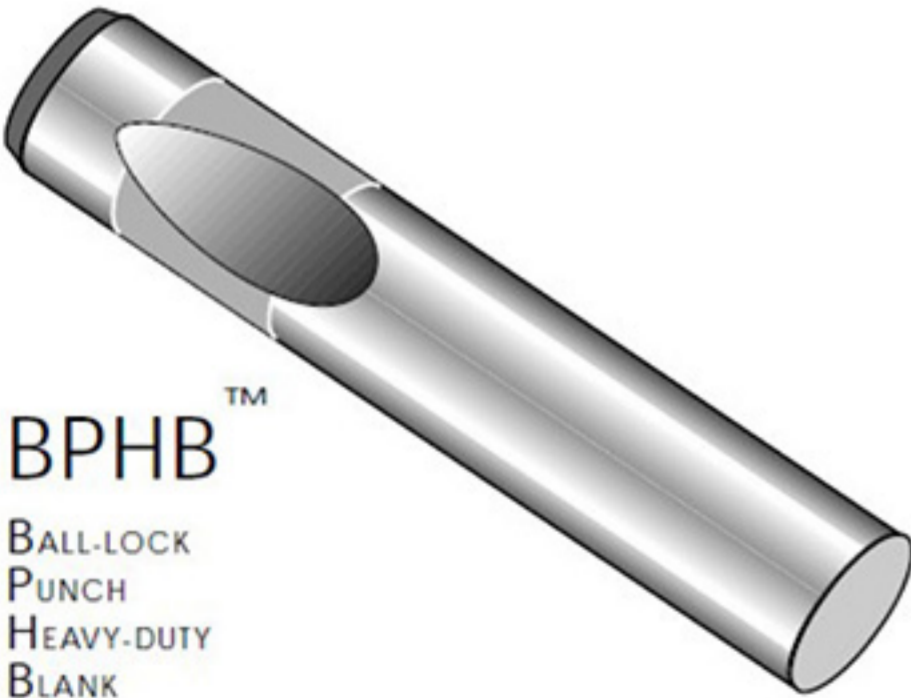


BEHB™
BALL-LOCK
EJECTOR
HEAVY-DUTY
BLANK

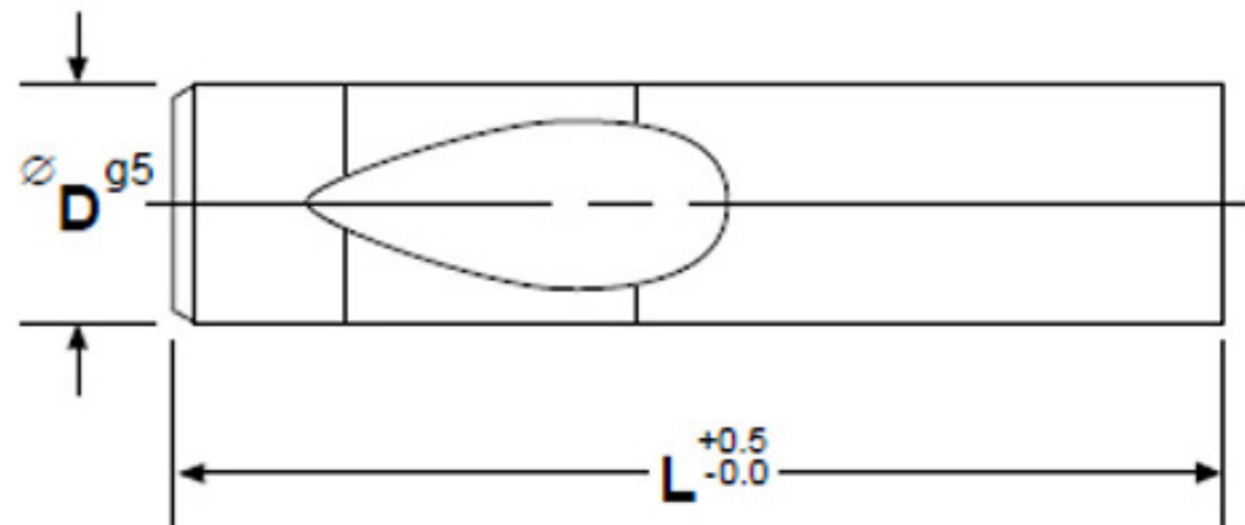


TİP	D	L							İTİCİ TİPİ
		63	71	80	90	100	110	125	
BEHB	10	63	71	80	90	100			E4M
BEHB	13	63	71	80	90	100	110	125	E6M
BEHB	16	63	71	80	90	100	110	125	E9M
BEHB	20	63	71	80	90	100	110	125	E9M
BEHB	25		71	80	90	100	110	125	E9M
BEHB	32		71	80	90	100	110	125	E12M
BEHB	40			80	90	100	110	125	E12M

İTİCİSİZ BİLYALI ZIMBA

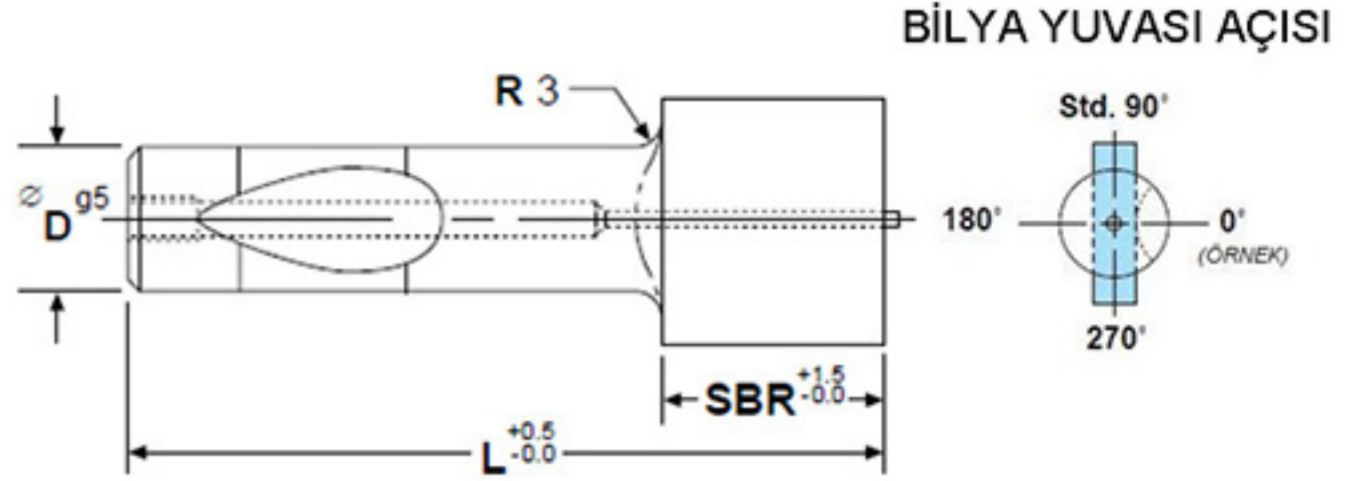
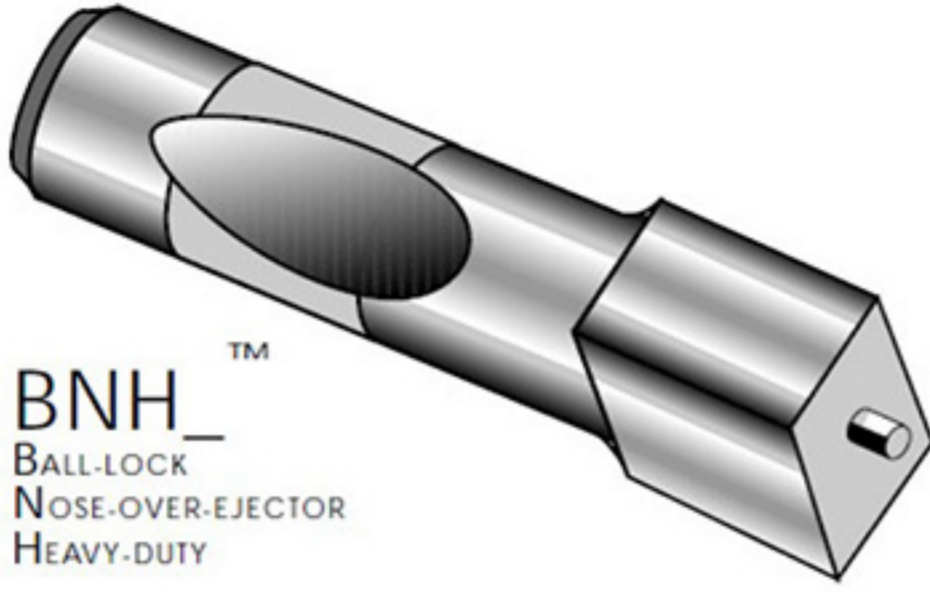


BPHB™
BALL-LOCK
PUNCH
HEAVY-DUTY
BLANK

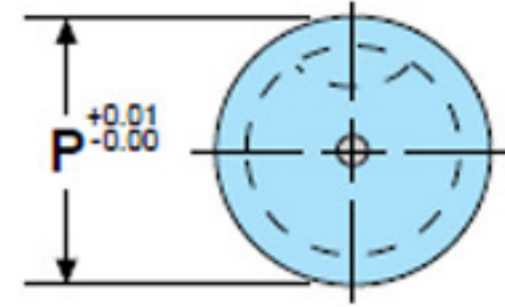


TİP	D	L										
		63	71	80	90	100	110	125	140	150	175	200
BPHB	10	63	71	80	90	100	110	125				
BPHB	13	63	71	80	90	100	110	125	140	150	175	
BPHB	16	63	71	80	90	100	110	125	140	150	175	
BPHB	20	63	71	80	90	100	110	125	140	150	175	
BPHB	25		71	80	90	100	110	125	140	150	175	200
BPHB	32		71	80	90	100	110	125	140	150	175	200
BPHB	40			80	90	100	110	125	140	150	175	200

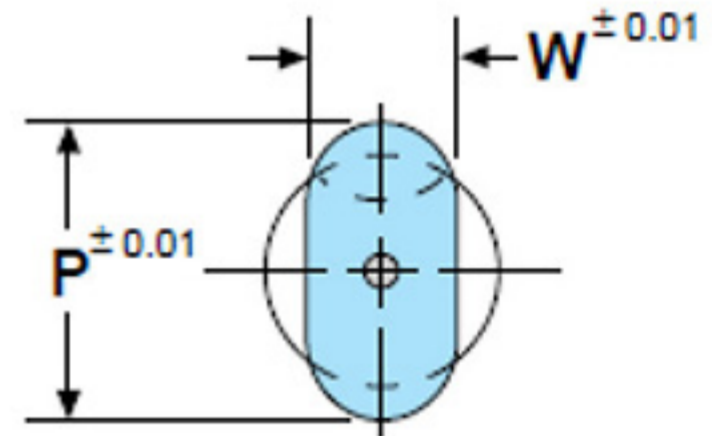
İTİCİLİ BİLYALI TERS ZIMBA



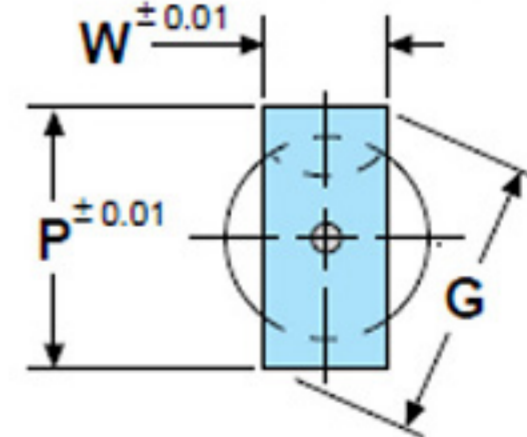
BNHR YUVARLAK



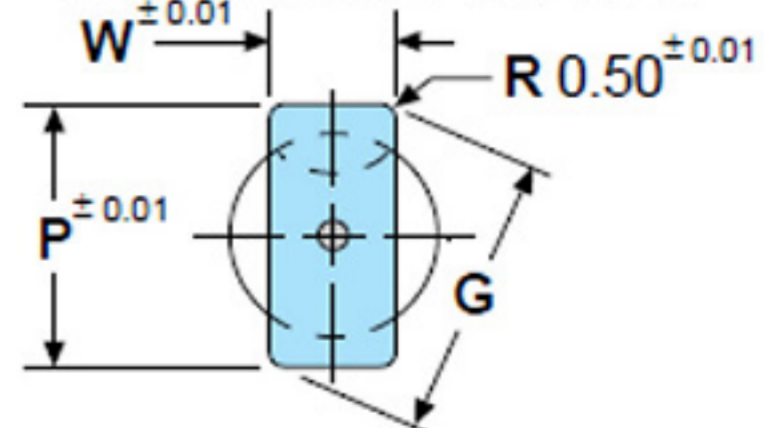
BNHO SLOK



BNHS DİKDÖRTGEN



BNHH YÜKSEK ADET



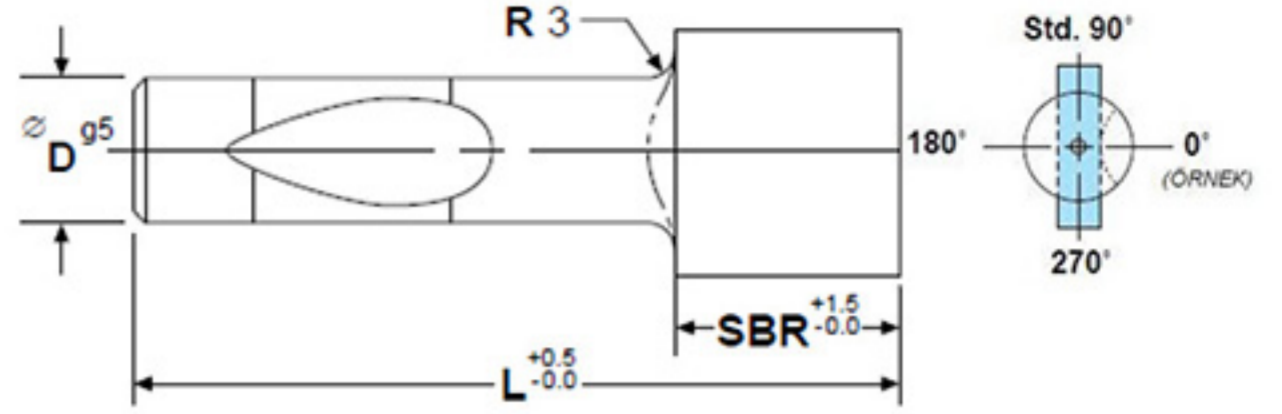
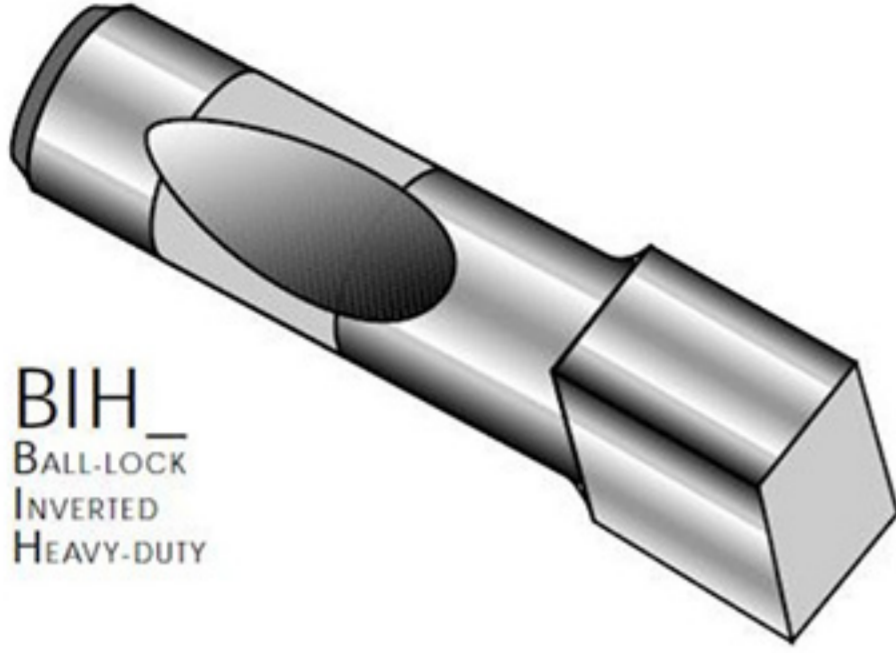
TİP	D	SBR	L				P Min	P Max	İTİCİ TİPİ
			71	80	90	100			
BNHR	13	20	71	80	90	100	13,1	32,0	E6M
BNHR	16	25	71	80	90	100	16,1	38,0	E9M
BNHR	20	25	71	80	90	100	20,1	38,0	E9M
BNHR	25	25	71	80	90	100	25,1	45,0	E9M
BNHR	32	32		80	90	100	32,1	50,0	E12M
BNHR	40	32		80	90	100	40,1	63,5	E12M

TİP	D	SBR	L				W Min	P Max	İTİCİ TİPİ
			71	80	90	100			
BNHO	13	20	71	80	90	100	5,0	32,0	E6M
BNHO	16	25	71	80	90	100	6,5	38,0	E9M
BNHO	20	25	71	80	90	100	8,0	38,0	E9M
BNHO	25	25	71	80	90	100	11,0	45,0	E9M
BNHO	32	32		80	90	100	12,5	50,0	E12M
BNHO	40	32		80	90	100	14,0	63,5	E12M

TİP	D	SBR	L				W Min	G Max	İTİCİ TİPİ
			71	80	90	100			
BNHS	13	20	71	80	90	100	5,0	32,0	E6M
BNHS	16	25	71	80	90	100	6,5	38,0	E9M
BNHS	20	25	71	80	90	100	8,0	38,0	E9M
BNHS	25	25	71	80	90	100	11,0	45,0	E9M
BNHS	32	32		80	90	100	12,5	50,0	E12M
BNHS	40	32		80	90	100	14,0	63,5	E12M

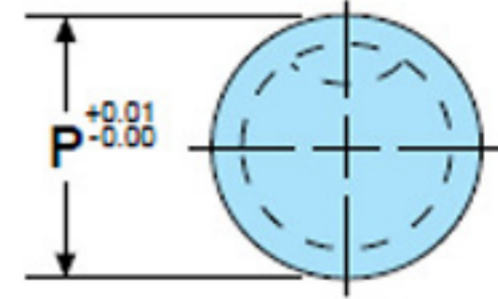
TİP	D	SBR	L				W Min	G Max	İTİCİ TİPİ
			71	80	90	100			
BNHH	13	20	71	80	90	100	5,0	32,0	E6M
BNHH	16	25	71	80	90	100	6,5	38,0	E9M
BNHH	20	25	71	80	90	100	8,0	38,0	E9M
BNHH	25	25	71	80	90	100	11,0	45,0	E9M
BNHH	32	32		80	90	100	12,5	50,0	E12M
BNHH	40	32		80	90	100	14,0	63,5	E12M

İTİCİSİZ BİLYALI TERS ZIMBA

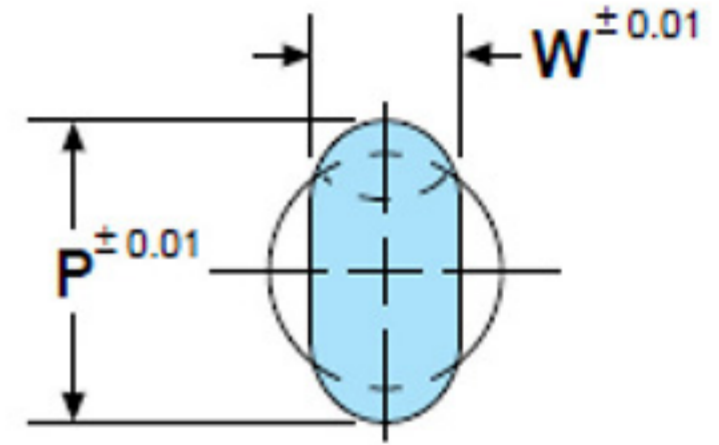


TİP	D	SBR	L				P Min	P Max
			71	80	90	100		
BIHR	13	20	71	80	90	100	13,1	32,0
BIHR	16	25	71	80	90	100	16,1	38,0
BIHR	20	25	71	80	90	100	20,1	38,0
BIHR	25	25	71	80	90	100	25,1	45,0
BIHR	32	32		80	90	100	32,1	50,0
BIHR	40	32		80	90	100	40,1	63,5

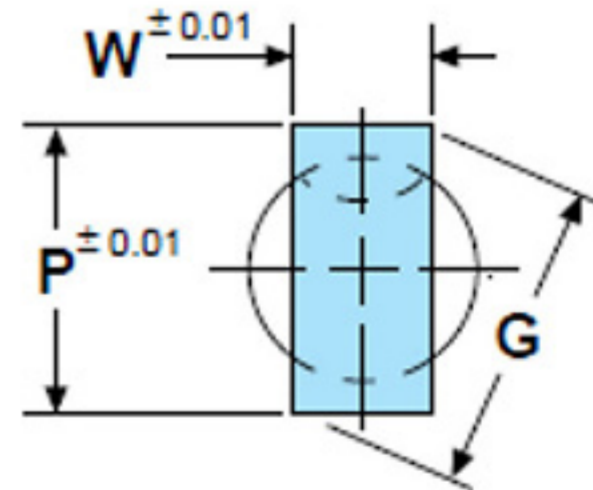
BIHR YUVARLAK



BIHO SLOT



BIHS DİKORTGEN

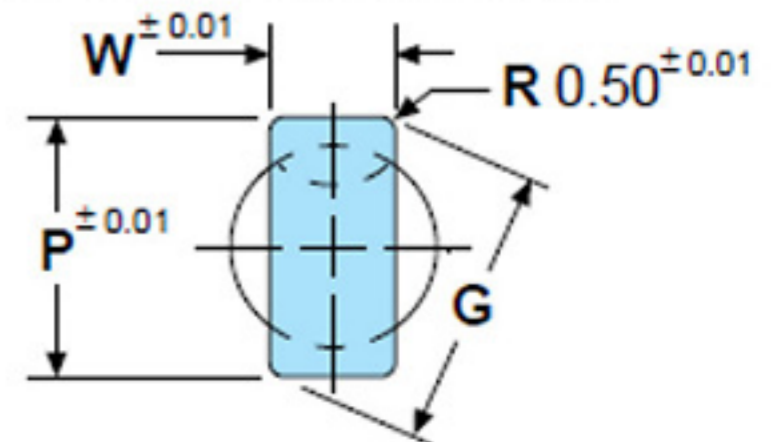


TİP	D	SBR	L				W Min	P Max
			71	80	90	100		
BIHO	13	20	71	80	90	100	5,0	32,0
BIHO	16	25	71	80	90	100	6,5	38,0
BIHO	20	25	71	80	90	100	8,0	38,0
BIHO	25	25	71	80	90	100	11,0	45,0
BIHO	32	32		80	90	100	12,5	50,0
BIHO	40	32		80	90	100	14,0	63,5

TİP	D	SBR	L				W Min	G Max
			71	80	90	100		
BIHS	13	20	71	80	90	100	5,0	32,0
BIHS	16	25	71	80	90	100	6,5	38,0
BIHS	20	25	71	80	90	100	8,0	38,0
BIHS	25	25	71	80	90	100	11,0	45,0
BIHS	32	32		80	90	100	12,5	50,0
BIHS	40	32		80	90	100	14,0	63,5

TİP	D	SBR	L				W Min	G Max
			71	80	90	100		
BIHH	13	20	71	80	90	100	5,0	32,0
BIHH	16	25	71	80	90	100	6,5	38,0
BIHH	20	25	71	80	90	100	8,0	38,0
BIHH	25	25	71	80	90	100	11,0	45,0
BIHH	32	32		80	90	100	12,5	50,0
BIHH	40	32		80	90	100	14,0	63,5

BIHH YUKSEK ADET



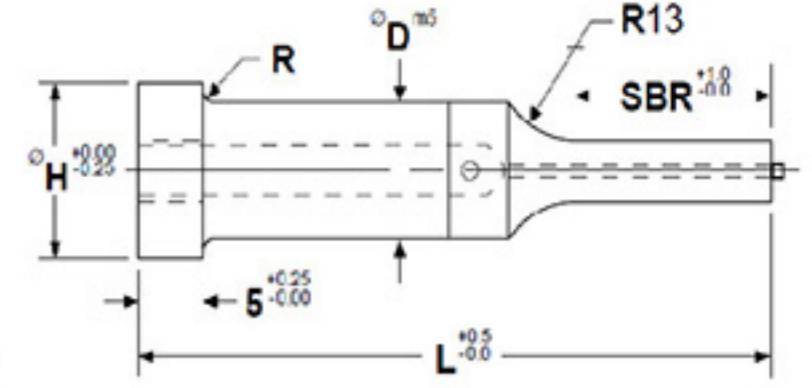
ŞAPKALI KADEMELİ ZİMBALAR



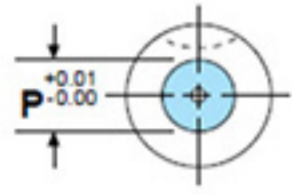
GES_
GENERAL
EJECTOR
SHOULDER



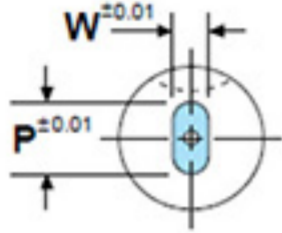
GPS_
GENERAL
PUNCH
SHOULDER



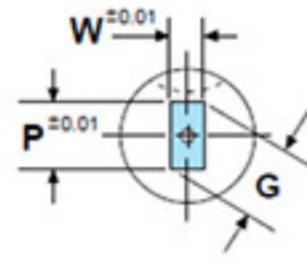
GESR / GPSR
YUVARLAK



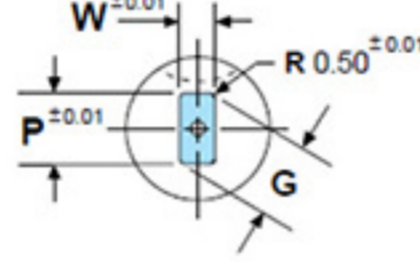
GESO / GPSO
SLOT



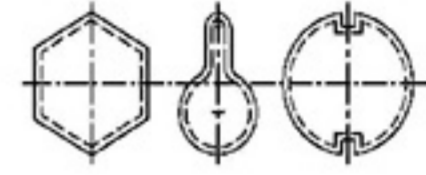
GESS / GPSS
DİKDÖRTGEN



GESH / GPSH
YÜKSEK ADET



GESC / GPSC
ÖZEL FORM



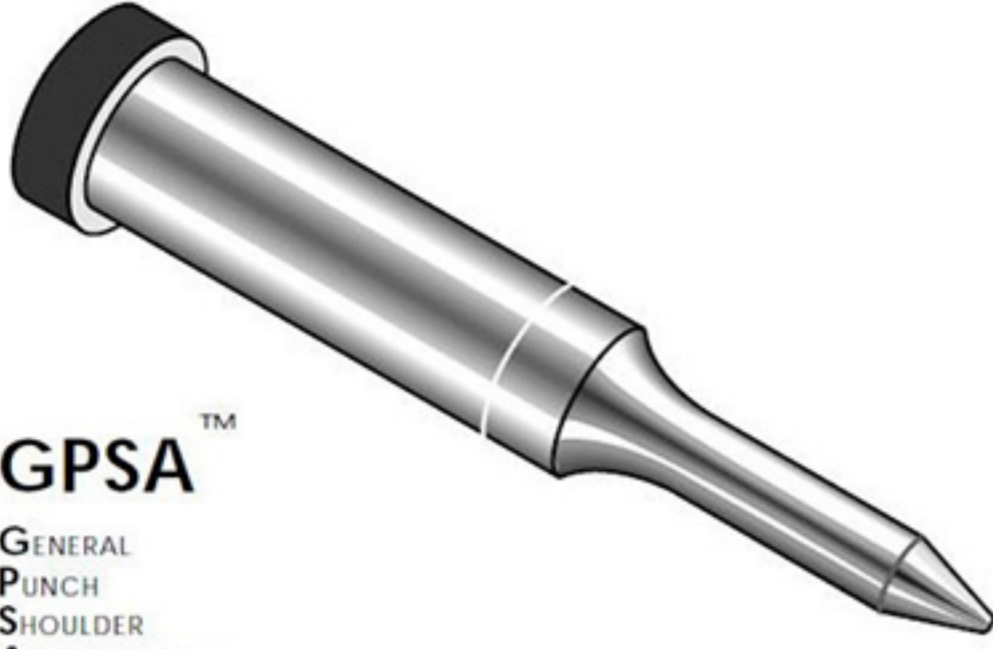
İTİCİLİ

TİP	D	SBR						L							P	W	H	İTİCİ TİPİ
		8	10	13	19	25	32	50	56	63	71	80	90	100				
GES_	5	8	10	13				50	56	63	71				1,9	1,9	8	E2AM
GES_	6	8	10	13				50	56	63	71	80			2,0	2,0	9	E3M
GES_	8	8	10	13				50	56	63	71	80			2,9	2,9	11	E4M
GES_	10		10	13	19			50	56	63	71	80	90	100	4,0	4,0	13	E6M
GES_	13		10	13	19			50	56	63	71	80	90	100	4,0	4,0	16	E6M
GES_	16			13	19	25		50	56	63	71	80	90	100	5,7	5,7	19	E9M
GES_	20			13	19	25			56	63	71	80	90	100	5,7	5,7	24	E9M
GES_	25			13	19	25			56	63	71	80	90	100	5,7	5,7	29	E9M
GES_	32				19	25	32				71	80	90	100	9,9	9,9	36	E12M
GES_	40				19	25	32					80	90	100	12,0	12,0	45	E12M
GES_	45					25	32					80	90	100	14,0	14,0	50	E12M
GES_	50					25	32					80	90	100	16,0	16,0	55	E12M
GES_	56					25	32					80	90	100	18,0	18,0	61	E12M
GES_	63					25	32					80	90	100	20,0	20,0	68	E12M

İTİCİSİZ

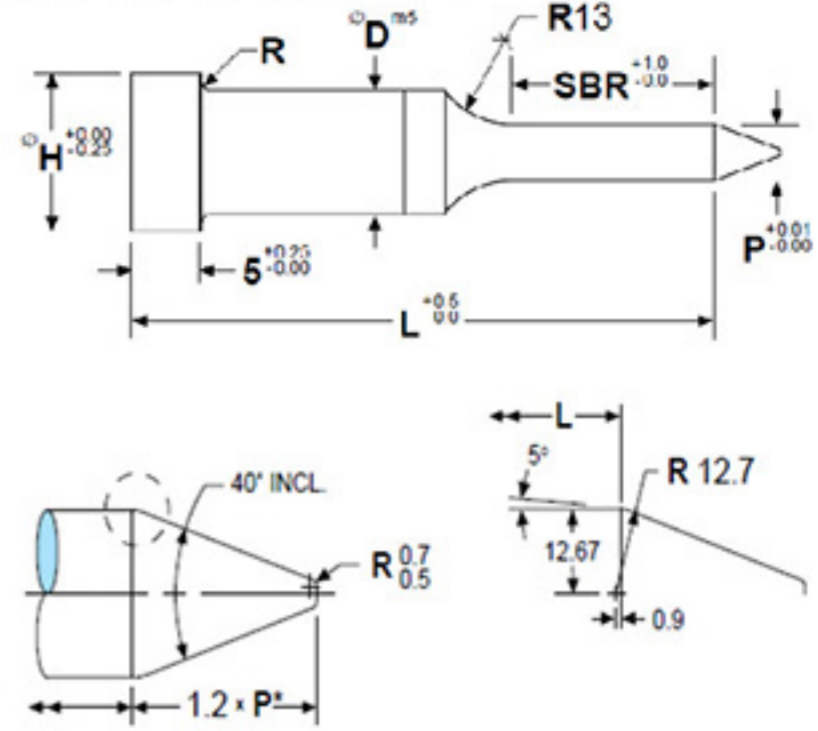
TİP	D	SBR						L							P	W	H
		8	10	13	19	25	32	50	56	63	71	80	90	100			
GPS_	4	8	10	13				50	56	63	71				0,8	0,8	8
GPS_	5	8	10	13				50	56	63	71				1,3	1,3	8
GPS_	6	8	10	13				50	56	63	71	80			1,4	1,4	9
GPS_	8	8	10	13				50	56	63	71	80			1,5	1,5	11
GPS_	10		10	13	19			50	56	63	71	80	90	100	1,9	1,9	13
GPS_	13		10	13	19			50	56	63	71	80	90	100	3,1	3,1	16
GPS_	16			13	19	25		50	56	63	71	80	90	100	5,7	5,7	19
GPS_	20			13	19	25			56	63	71	80	90	100	5,7	5,7	24
GPS_	25			13	19	25			56	63	71	80	90	100	5,7	5,7	29
GPS_	32				19	25	32				71	80	90	100	9,9	9,9	36
GPS_	40				19	25	32					80	90	100	12,0	12,0	45
GPS_	45					25	32					80	90	100	14,0	14,0	50
GPS_	50					25	32					80	90	100	16,0	16,0	55
GPS_	56					25	32					80	90	100	18,0	18,0	61
GPS_	63					25	32					80	90	100	20,0	20,0	68

ŞAPKALI KONİK KILAVUZ ZIMBA



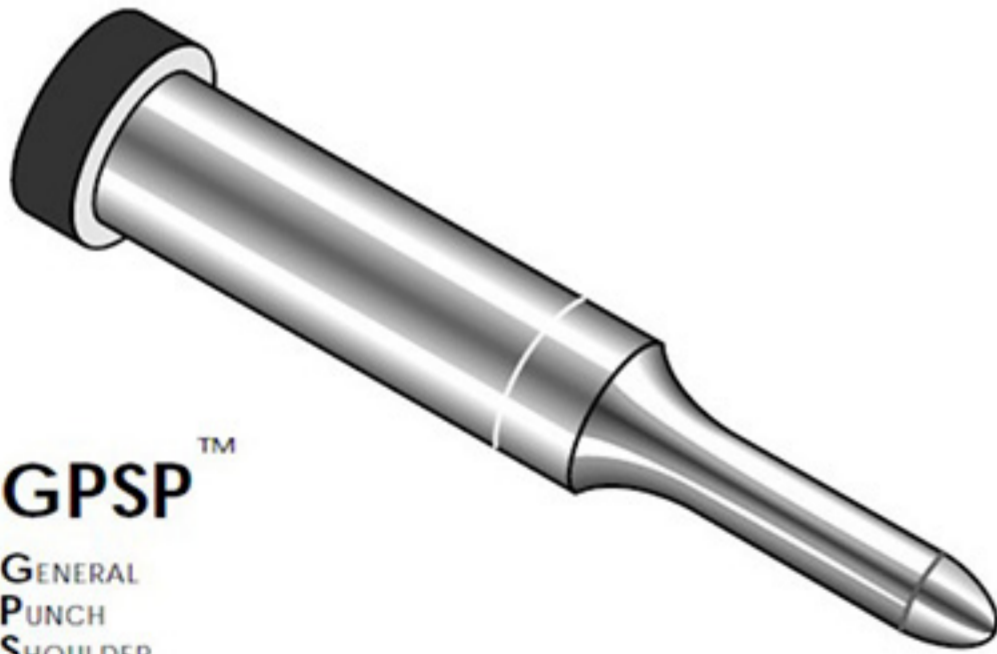
GPSA™

GENERAL
PUNCH
SHOULDER
ANGULAR PILOT



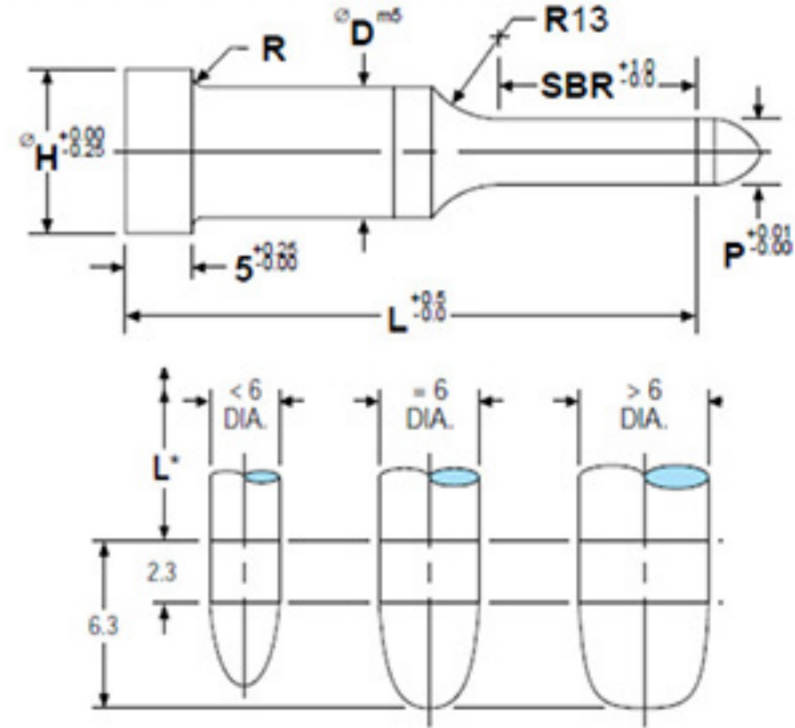
TİP	D	SBR						L								P	H
		8	10	13	19	25	32	63	71	80	90	100	110	125	140		
GPSA	5	8	10	13				63	71							1,2	8
GPSA	6	8	10	13				63	71	80						1,3	9
GPSA	8	8	10	13				63	71	80	90					1,4	11
GPSA	10		10	13	19			63	71	80	90	100	110			1,8	13
GPSA	13		10	13	19			63	71	80	90	100	110	125		3,0	16
GPSA	16			13	19	25			71	80	90	100	110	125	140	5,6	19
GPSA	20			13	19	25			71	80	90	100	110	125	140	5,6	24
GPSA	25			13	19	25			71	80	90	100	110	125	140	5,6	29
GPSA	32				19	25	32			80	90	100	110	125	140	9,8	36
GPSA	40				19	25	32			80	90	100	110	125	140	11,9	45

ŞAPKALI PARABOLİK KILAVUZ ZIMBA



GPSP™

GENERAL
PUNCH
SHOULDER
PARABOLIC PILOT

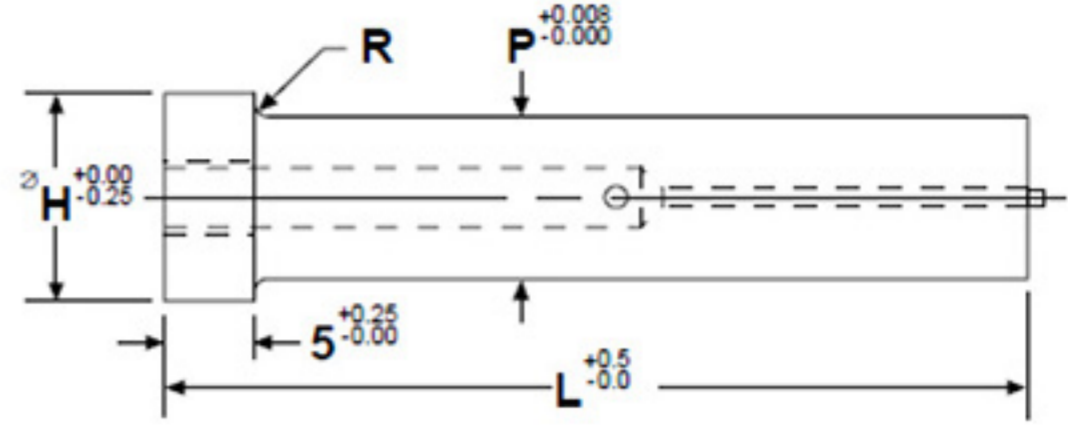


TİP	D	SBR						L								P	H
		8	10	13	19	25	32	50	56	63	71	80	90	100			
GPSP	5	8	10	13				50	56	63	71					1,2	8
GPSP	6	8	10	13				50	56	63	71	80				1,3	9
GPSP	8	8	10	13				50	56	63	71	80				1,4	11
GPSP	10		10	13	19			50	56	63	71	80	90	100		1,8	13
GPSP	13		10	13	19			50	56	63	71	80	90	100		3,0	16
GPSP	16			13	19	25		50	56	63	71	80	90	100		5,6	19
GPSP	20			13	19	25			56	63	71	80	90	100		5,6	24
GPSP	25			13	19	25			56	63	71	80	90	100		5,6	29
GPSP	32				19	25	32				71	80	90	100		9,8	36
GPSP	40				19	25	32					80	90	100		11,9	45

İTİCİLİ ŞAPKALI ÖZEL ÇAPLI ZIMBA

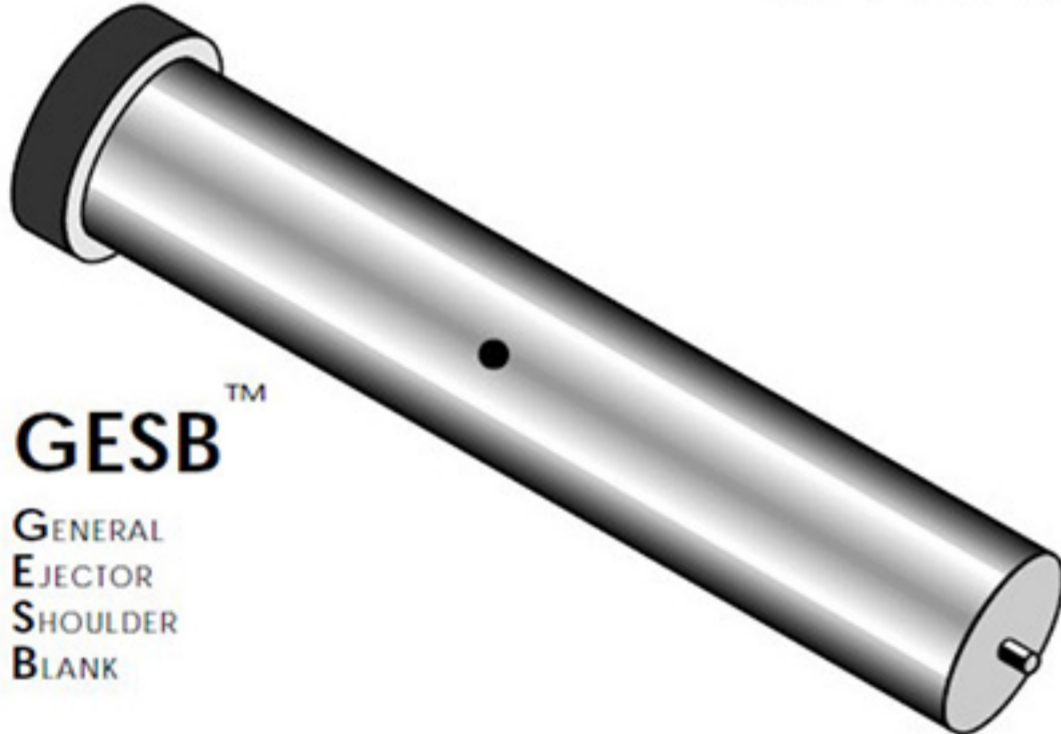


GERB™
GENERAL
EJECTOR
REDUCED SHANK
BLANK

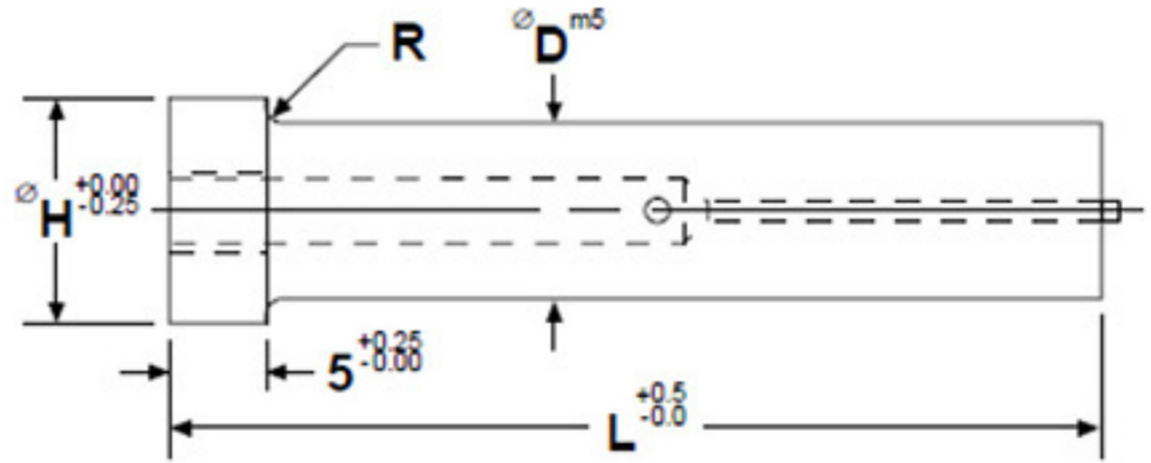


TİP	D	L							P	D	İTİCİ TİPİ
		50	56	63	71	80	90	100			
GERB	5	50	56	63	71				3,2 – 4,9	8	E2AM
GERB	6	50	56	63	71	80			4,7 – 5,9	9	E3M
GERB	8	50	56	63	71	80			6,0 – 7,9	11	E4M
GERB	10	50	56	63	71	80	90	100	8,0 – 9,9	13	E6M

İTİCİLİ ŞAPKALI STANDART ZIMBA



GESB™
GENERAL
EJECTOR
SHOULDER
BLANK



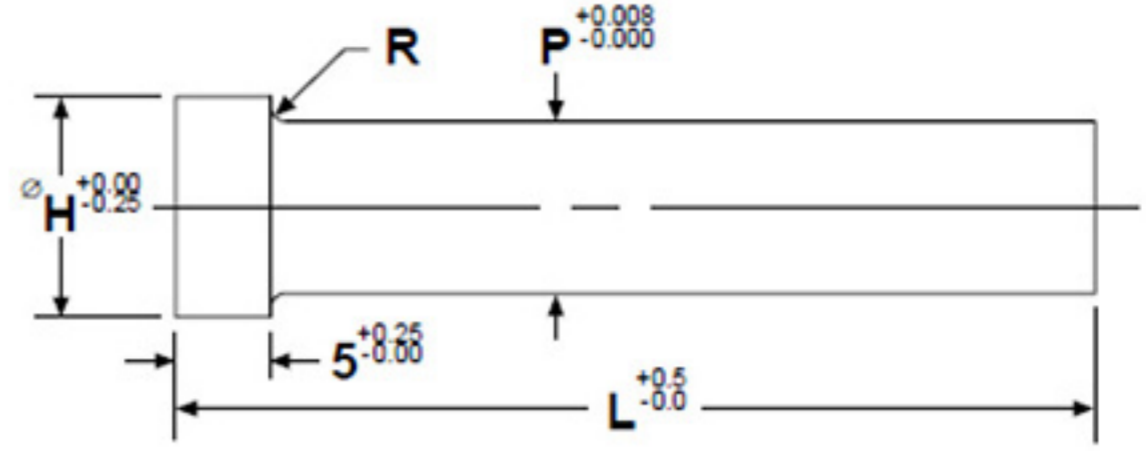
TİP	D	L							H	İTİCİ TİPİ
		50	56	63	71	80	90	100		
GESB	5	50	56	63	71				8	E2AM
GESB	6	50	56	63	71	80			9	E3M
GESB	8	50	56	63	71	80			11	E4M
GESB	10	50	56	63	71	80	90	100	13	E6M
GESB	13	50	56	63	71	80	90	100	16	E6M
GESB	16	50	56	63	71	80	90	100	19	E9M
GESB	20		56	63	71	80	90	100	24	E9M
GESB	25		56	63	71	80	90	100	29	E9M
GESB	32				71	80	90	100	36	E12M
GESB	40					80	90	100	45	E12M
GESB	45					80	90	100	50	E12M
GESB	50					80	90	100	55	E12M
GESB	56					80	90	100	61	E12M
GESB	63					80	90	100	68	E12M

İTİCİSİZ ŞAPKALI ÖZEL ÇAPLI ZIMBA



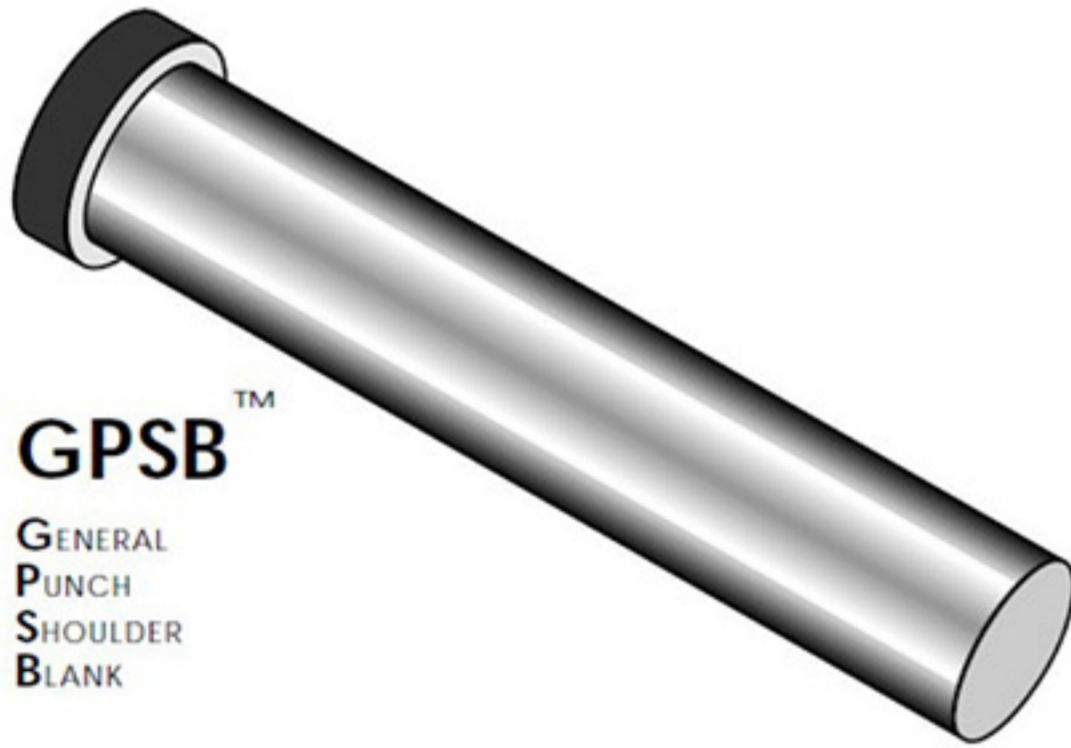
GPRB™

GENERAL
PUNCH
REDUCED SHANK
BLANK



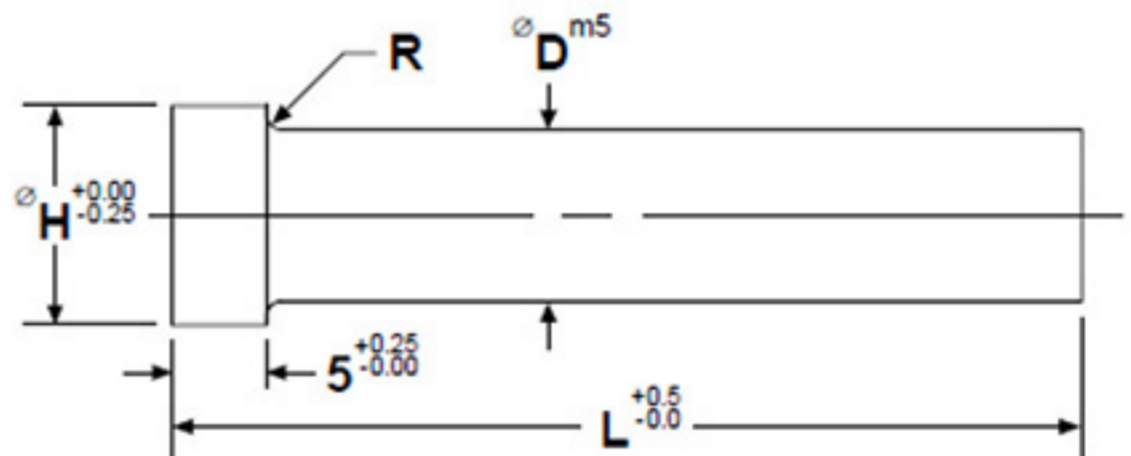
TİP	D	L							P	D
		50	56	63	71	80	90	100		
GPRB	5	50	56	63	71				3,2 – 4,9	8
GPRB	6	50	56	63	71	80			4,7 – 5,9	9
GPRB	8	50	56	63	71	80			6,0 – 7,9	11
GPRB	10	50	56	63	71	80	90	100	8,0 – 9,9	13

İTİCİLİ ŞAPKALI STANDART ZIMBA



GPSB™

GENERAL
PUNCH
SHOULDER
BLANK

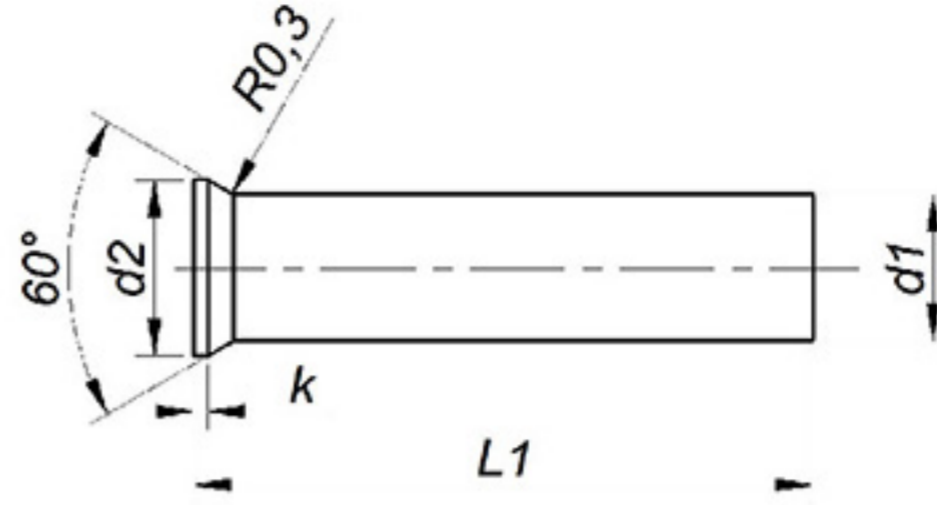


TİP	D	L													H	
		50	56	63	71	80	90	100	110	125	140	150	175	200		
GPSB	4	50	56	63												7
GPSB	5	50	56	63	71											8
GPSB	6	50	56	63	71	80										9
GPSB	8	50	56	63	71	80										11
GPSB	10	50	56	63	71	80	90	100	110	125						13
GPSB	13	50	56	63	71	80	90	100	110	125	140	150				16
GPSB	16	50	56	63	71	80	90	100	110	125	140	150	175			19
GPSB	20		56	63	71	80	90	100	110	125	140	150	175			24
GPSB	25		56	63	71	80	90	100	110	125	140	150	175			29
GPSB	32				71	80	90	100	110	125	140	150	175	200		36
GPSB	40					80	90	100	110	125	140	150	175	200		45
GPSB	45					80	90	100	110	125	140	150	175	200		50
GPSB	50					80	90	100	110	125	140	150	175	200		55
GPSB	56					80	90	100	110	125	140	150	175	200		61
GPSB	63					80	90	100	110	125	140	150	175	200		68

HB – HAVŞA BAŞLI ZIMBA

MALZEME SEÇENEKLERİ

HSS – M2
1.2379 – A2



d1 - h6	d2	k+0,2	R+0,2	L1 + 0,5
Ø0,5	0,9	0,2	0,3	
Ø0,55	1,0			
Ø0,6	1,1			
Ø0,65	1,2			
Ø0,7 - Ø0,75	1,3			
Ø0,8 - Ø0,85	1,4	0,4		
Ø0,9 - Ø0,95	1,6			
Ø1,0 - Ø1,1	1,8	0,5	0,3	
Ø1,2 - Ø1,3	2,0			
Ø1,4 - Ø1,5	2,2			
Ø1,6 - Ø1,7	2,5			
Ø1,8 - Ø1,9	2,8			
Ø2	3,0			
Ø2,1 - Ø2,2	3,2			
Ø2,3 - Ø2,5	3,5			
Ø2,6 - Ø2,9	4,0			
Ø3,0 - Ø3,4	4,5			
Ø3,5 - Ø3,9	5,0	1,0	0,5	70
Ø4,0 - Ø4,4	5,5			
Ø4,5 - Ø4,9	6,0			
Ø5,0 - Ø5,4	6,5			
Ø5,5 - Ø5,9	7,0			
Ø6,0 - Ø6,4	8,0			
Ø6,5 - Ø7,0	9,0			
Ø7,5 - Ø8,0	10,0			
Ø8,5 - Ø9,0	11,0			
Ø9,5 - Ø10,0	12,0			
Ø10,5 - Ø11,0	13,0	1,5	0,8	80
Ø11,5 - Ø12,0	14,0			
Ø12,5 - Ø13,0	15,0			
Ø13,5 - Ø14,0	16,0			
Ø14,5 - Ø15,0	17,0			
Ø15,5 - Ø16,0	18,0			
Ø16,5 - Ø17,0	19,0			
Ø17,5 - Ø18,0	20,0			
Ø18,5 - Ø19,0	21,0			
Ø19,5 - Ø20,0	22,0			

HBK – HAVŞA BAŞLI KADEMELİ ZIMBA

MALZEME SEÇENEKLERİ

HSS – M2

1.2379 – A2

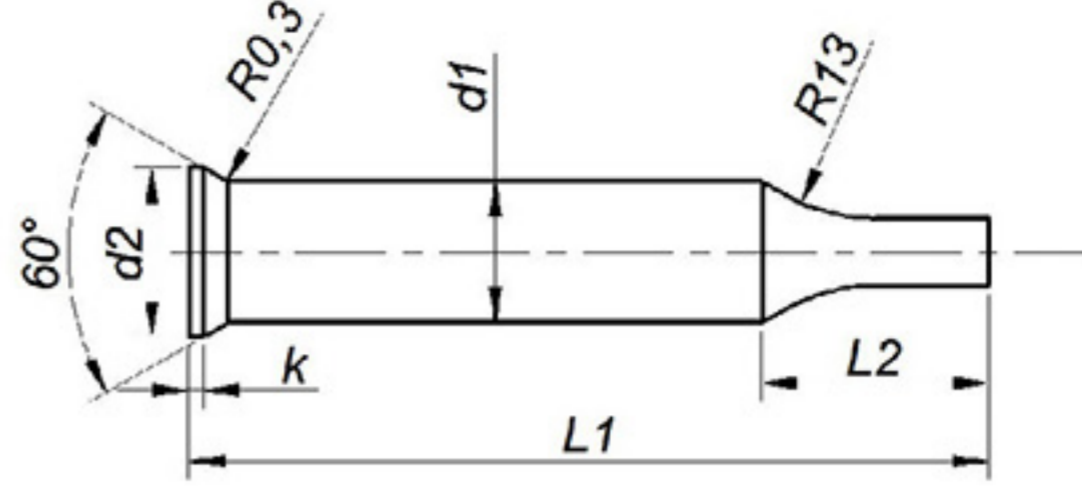
UÇ FORMLAR

R – YUVARLAK

O – SLOT

S – DİKDÖRTGEN

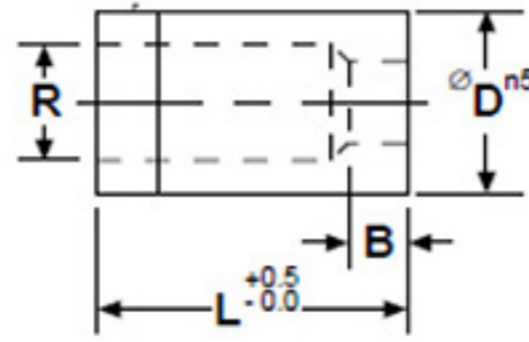
C – ÖZEL FORM



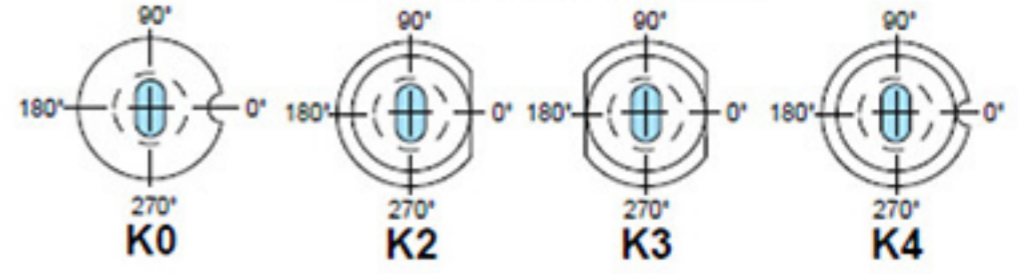
d1 – h6	d2 – 0,2	k	L1	L2
Ø0,5	0,9	0,2		İSTENİLEN ÖLÇÜLERDE İMALAT YAPILIR
Ø0,55	1,0			
Ø0,6	1,1			
Ø0,65	1,2			
Ø0,7 - Ø0,75	1,3			
Ø0,8 - Ø0,85	1,4	0,4		
Ø0,9 - Ø0,95	1,6			
Ø1,0 - Ø1,1	1,8			
Ø1,2 - Ø1,3	2,0	0,5		
Ø1,4 - Ø1,5	2,2			
Ø1,6 - Ø1,7	2,5			
Ø1,8 - Ø1,9	2,8			
Ø2	3,0			
Ø2,1 - Ø2,2	3,2			
Ø2,3 - Ø2,5	3,5			
Ø2,6 - Ø2,9	4,0			
Ø3,0 - Ø3,4	4,5			
Ø3,5 - Ø3,9	5,0			
Ø4,0 - Ø4,4	5,5			
Ø4,5 - Ø4,9	6,0			
Ø5,0 - Ø5,4	6,5			
Ø5,5 - Ø5,9	7,0			
Ø6,0 - Ø6,4	8,0			
Ø6,5 - Ø7,0	9,0	1		
Ø7,5 - Ø8,0	10,0			
Ø8,5 - Ø9,0	11,0			
Ø9,5 - Ø10,0	12,0			
Ø10,5 - Ø11,0	13,0			
Ø11,5 - Ø12,0	14,0			
Ø12,5 - Ø13,0	15,0			
Ø13,5 - Ø14,0	16,0	1,5		
Ø14,5 - Ø15,0	17,0			
Ø15,5 - Ø16,0	18,0			
Ø16,5 - Ø17,0	19,0			
Ø17,5 - Ø18,0	20,0			
Ø18,5 - Ø19,0	21,0			
Ø19,5 - Ø20,0	22,0			

GBP SERİSİ SIKI GEÇME MATRİSİ

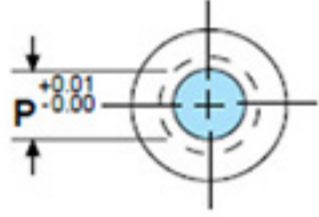
GBP
GENERAL
BUTTON
PRESS-FIT



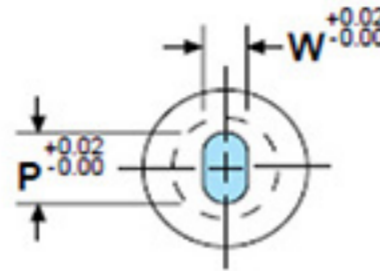
KAMA YUVASI AÇISI



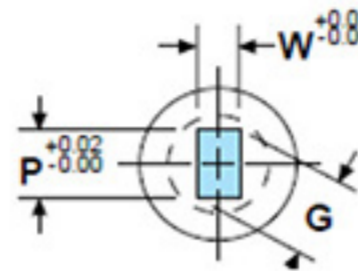
GBPR YUVARLAK



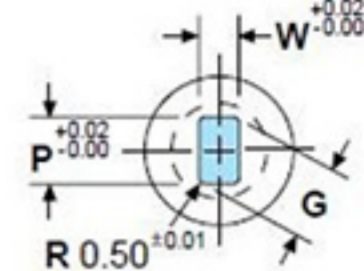
GBPO SLOTT



GBPS DİKDÖRTGEN



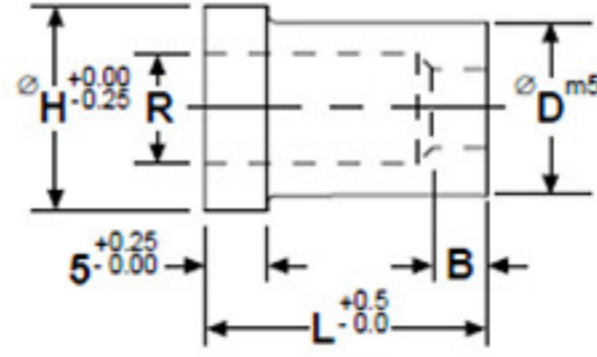
GBPH YÜKSEK ADET



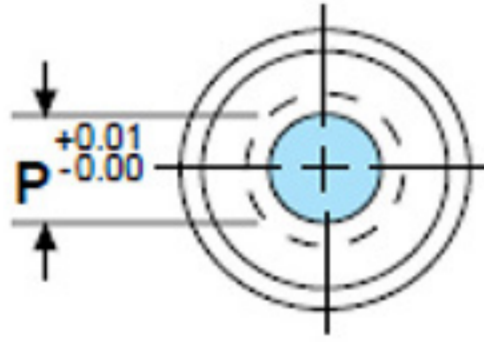
TİP	D	B			L							P	R Max		
					20	22	25	28	30	32	35			40	
GBPR	8	4	8		20	22	25	28	30	32	35	1.5 – 3.2	4.0		
GBPR	10	4	8		20	22	25	28	30	32	35	1.5 – 5.0	5.8		
GBPR	13	5	8		20	22	25	28	30	32	35	3.0 – 7.2	8.0		
GBPR	16	5	8		20	22	25	28	30	32	35	5.0 – 8.8	9.5		
GBPR	20	5	12		20	22	25	28	30	32	35	7.9 – 11.0	11.9		
GBPR	22	6	12		20	22	25	28	30	32	35	9.0 – 13.8	14.7		
GBPR	25	6	12		20	22	25	28	30	32	35	11.0 – 16.5	17.4		
GBPR	32	6	12		20	22	25	28	30	32	35	13.0 – 19.8	20.6		
GBPR	38	8	12		20	22	25	28	30	32	35	16.0 – 26.0	27.0		
GBPR	40	8	12	20			25	28	30	32	35	16.0 – 26.0	27.0		
GBPR	45	8	12	20			25	28	30	32	35	40	19.0 – 35.0	36.0	
GBPR	50	8	12	20			25	28	30	32	35	40	22.0 – 40.0	41.0	
GBPR	56	8	12	20			25	28	30	32	35	40	25.0 – 45.0	46.0	
GBPR	63	8	12	20			25	28	30	32	35	40	28.0 – 50.0	51.0	
GBPR	71	8	12	20			25	28	30	32	35	40	31.0 – 56.0	57.0	
GBPR	76	8	12	20			25	28	30	32	35	40	39.0 – 60.0	61.0	
GBPR	85	8	12	20			25	28	30	32	35	40	43.0 – 66.0	67.0	
GBPR	90	8	12	20			25	28	30	32	35	40	45.0 – 70.0	71.0	
GBPR	100	8	12	20			25	28	30	32	35	40	50.0 – 78.0	79.0	
TİP	D	B			L							W Min	P/G Max	R Max	
					20	22	25	28	30	32	35				40
GBP_	10	4	8		20	22	25	28	30	32	35	1.2	5.0	5.8	
GBP_	13	5	8		20	22	25	28	30	32	35	2.0	7.2	8.0	
GBP_	16	5	8		20	22	25	28	30	32	35	2.4	8.8	9.5	
GBP_	20	5	12		20	22	25	28	30	32	35	3.2	11.0	11.9	
GBP_	22	6	12		20	22	25	28	30	32	35	4.0	13.8	14.7	
GBP_	25	6	12		20	22	25	28	30	32	35	4.8	16.5	17.4	
GBP_	32	6	12		20	22	25	28	30	32	35	5.5	19.8	20.6	
GBP_	38	8	12		20	22	25	28	30	32	35	6.4	26.0	27.0	
GBP_	40	8	12	20			25	28	30	32	35	6.4	26.0	27.0	
GBP_	45	8	12	20			25	28	30	32	35	40	8.0	35.0	36.0
GBP_	50	8	12	20			25	28	30	32	35	40	9.0	40.0	41.0
GBP_	56	8	12	20			25	28	30	32	35	40	10.0	45.0	46.0
GBP_	63	8	12	20			25	28	30	32	35	40	11.0	50.0	51.0
GBP_	71	8	12	20			25	28	30	32	35	40	12.0	56.0	57.0
GBP_	76	8	12	20			25	28	30	32	35	40	15.0	60.0	61.0
GBP_	85	8	12	20			25	28	30	32	35	40	21.0	66.0	67.0
GBP_	90	8	12	20			25	28	30	32	35	40	25.0	70.0	71.0
GBP_	100	8	12	20			25	28	30	32	35	40	33.0	78.0	79.0

GBS SERİSİ ŞAPKALI MATRİS

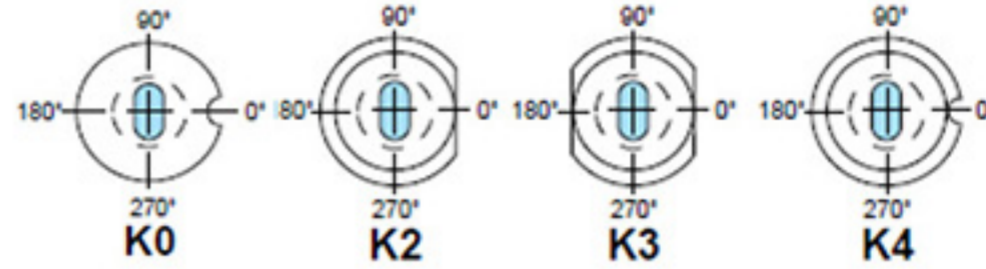
GBS_
GENERAL
BUTTON
SHOULDER



GBSR YUVARLAK

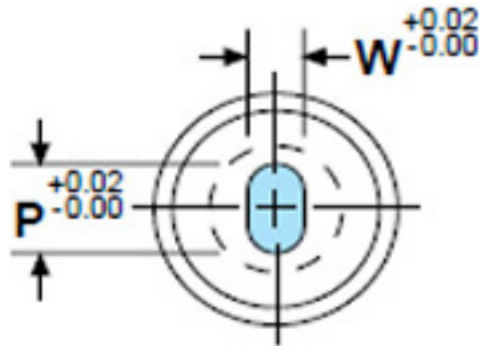


KAMA YUVASI AÇISI

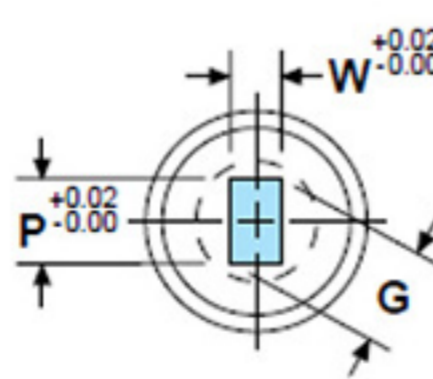


TİP	D	B		L							P	R Max	H
				20	22	25	28	30	32	35			
GBSR	10	4	8	20	22	25	28	30	32	35	1.5 – 5.0	5.8	13
GBSR	13	5	8	20	22	25	28	30	32	35	3.0 – 7.2	8.0	16
GBSR	16	5	8	20	22	25	28	30	32	35	5.0 – 8.8	9.5	19
GBSR	20	5	12	20	22	25	28	30	32	35	7.9 – 11.0	11.9	24
GBSR	22	6	12	20	22	25	28	30	32	35	9.0 – 13.8	14.7	26
GBSR	25	6	12	20	22	25	28	30	32	35	11.0 – 16.5	17.4	29
GBSR	32	6	12	20	22	25	28	30	32	35	13.0 – 19.8	20.6	36
GBSR	38	8	12	20	22	25	28	30	32	35	16.0 – 26.0	27.0	42

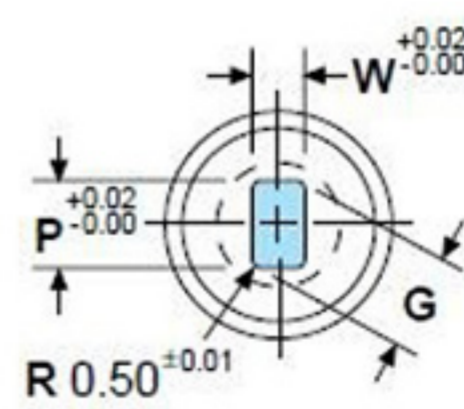
GBSO SLOT



GBSS DİKDÖRTGEN

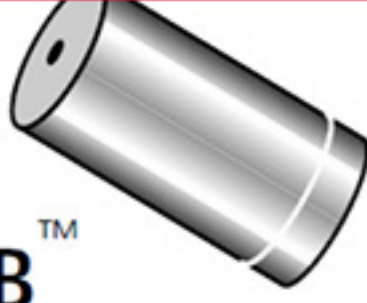


GBSH YÜKSEK ADET



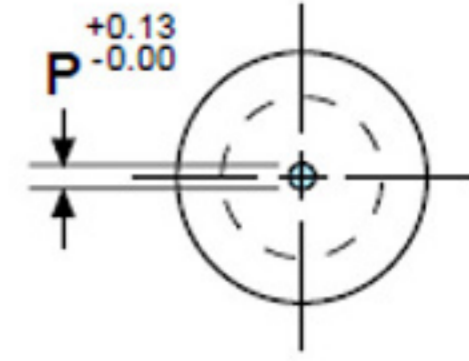
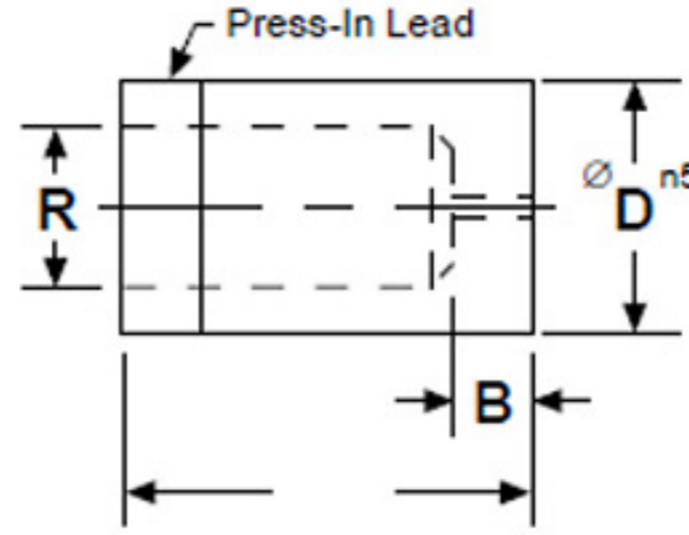
TİP	D	B		L							W Min	P/G Max	R Max	H
				20	22	25	28	30	32	35				
GBS_	10	4	8	20	22	25	28	30	32	35	1.2	5.0	5.8	13
GBS_	13	5	8	20	22	25	28	30	32	35	2.0	7.2	8.0	16
GBS_	16	5	8	20	22	25	28	30	32	35	2.4	8.8	9.5	19
GBS_	20	5	12	20	22	25	28	30	32	35	3.2	11.0	11.9	24
GBS_	22	6	12	20	22	25	28	30	32	35	4.0	13.8	14.7	26
GBS_	25	6	12	20	22	25	28	30	32	35	4.8	16.5	17.4	29
GBS_	32	6	12	20	22	25	28	30	32	35	5.5	19.8	20.6	36
GBS_	38	8	12	20	22	25	28	30	32	35	6.4	26.0	27.0	42

GBPGB SERİSİ SIKI GEÇME KÜTÜK MATRİSİ

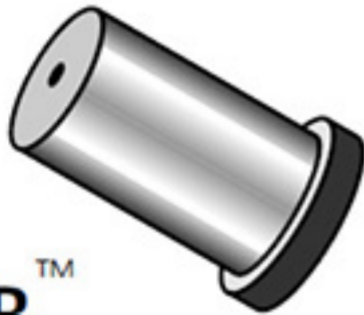


GBPGBTM

GENERAL
BUTTON
PRESS-FIT
BLANK



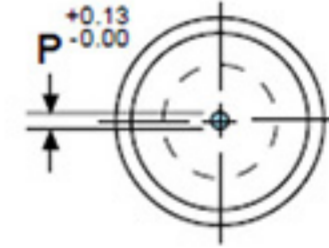
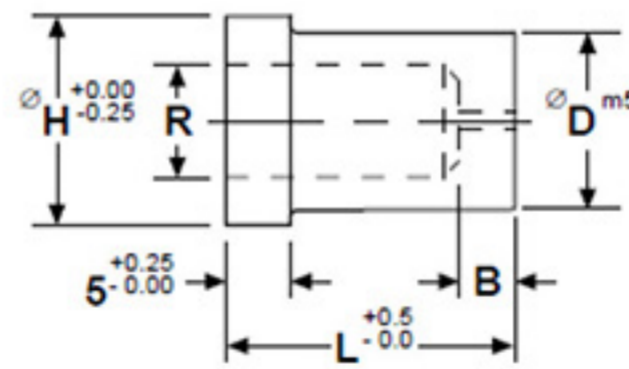
TİP	D	B			L							P	R Max	
					20	22	25	28	30	32	35			40
GBPGB	8	4	8		20	22	25	28	30	32	35		0,8	4.0
GBPGB	10	4	8		20	22	25	28	30	32	35		0,8	5.8
GBPGB	13	5	8		20	22	25	28	30	32	35		0,8	8.0
GBPGB	16	5	8		20	22	25	28	30	32	35		1,5	9.5
GBPGB	20	5	12		20	22	25	28	30	32	35		2,4	11.9
GBPGB	22	6	12		20	22	25	28	30	32	35		3,0	14.7
GBPGB	25	6	12		20	22	25	28	30	32	35		3,0	17.4
GBPGB	32	6	12		20	22	25	28	30	32	35		3,0	20.6
GBPGB	38	8	12		20	22	25	28	30	32	35		3,0	27.0
GBPGB	40	8	12	20			25	28	30	32	35		3,0	27.0
GBPGB	45	8	12	20			25	28	30	32	35	40	3,0	36.0
GBPGB	50	8	12	20			25	28	30	32	35	40	3,0	41.0
GBPGB	56	8	12	20			25	28	30	32	35	40	3,0	46.0
GBPGB	63	8	12	20			25	28	30	32	35	40	3,0	51.0
GBPGB	71	8	12	20			25	28	30	32	35	40	3,0	57.0
GBPGB	76	8	12	20			25	28	30	32	35	40	3,0	61.0
GBPGB	85	8	12	20			25	28	30	32	35	40	3,0	67.0
GBPGB	90	8	12	20			25	28	30	32	35	40	3,0	71.0
GBPR	100	8	12	20			25	28	30	32	35	40	3,0	79.0



GBSBTM

GENERAL
BUTTON
SHOULDER
BLANK

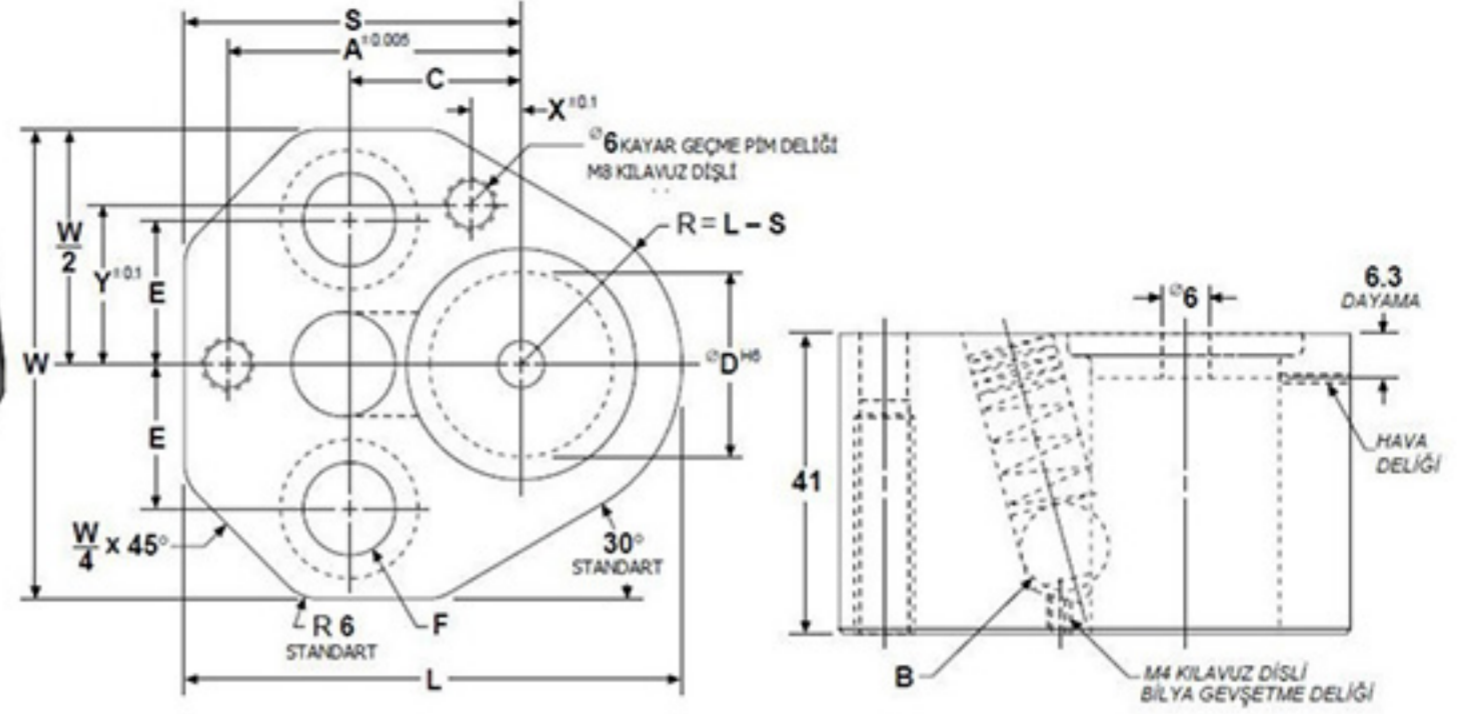
GBSB SERİSİ ŞAPKALI KÜTÜK MATRİSİ



TİP	D	B	L							P	R Max	H
			20	22	25	28	30	32	35			
GBSB	10	4	20	22	25	28	30	32	35	0,8	5.8	13
GBSB	13	5	20	22	25	28	30	32	35	0,8	8.0	16
GBSB	16	5	20	22	25	28	30	32	35	1,5	9.5	19
GBSB	20	5	20	22	25	28	30	32	35	2,4	11.9	24
GBSB	22	6	20	22	25	28	30	32	35	3,0	14.7	26
GBSB	25	6	20	22	25	28	30	32	35	3,0	17.4	29
GBSB	32	6	20	22	25	28	30	32	35	3,0	20.6	36
GBSB	38	8	20	22	25	28	30	32	35	3,0	27.0	42

BRHT SERİSİ TRU-LOCK TUTUCU

BRHT™
BALL-LOCK
RETAINER
HEAVY-DUTY
TRU-LOCK



TAKIM İÇERİĞİ:

- 2 adet allen başlı Cıvata
- 2 adet çektirmeli pim
- Bilya gevşetme setskuru

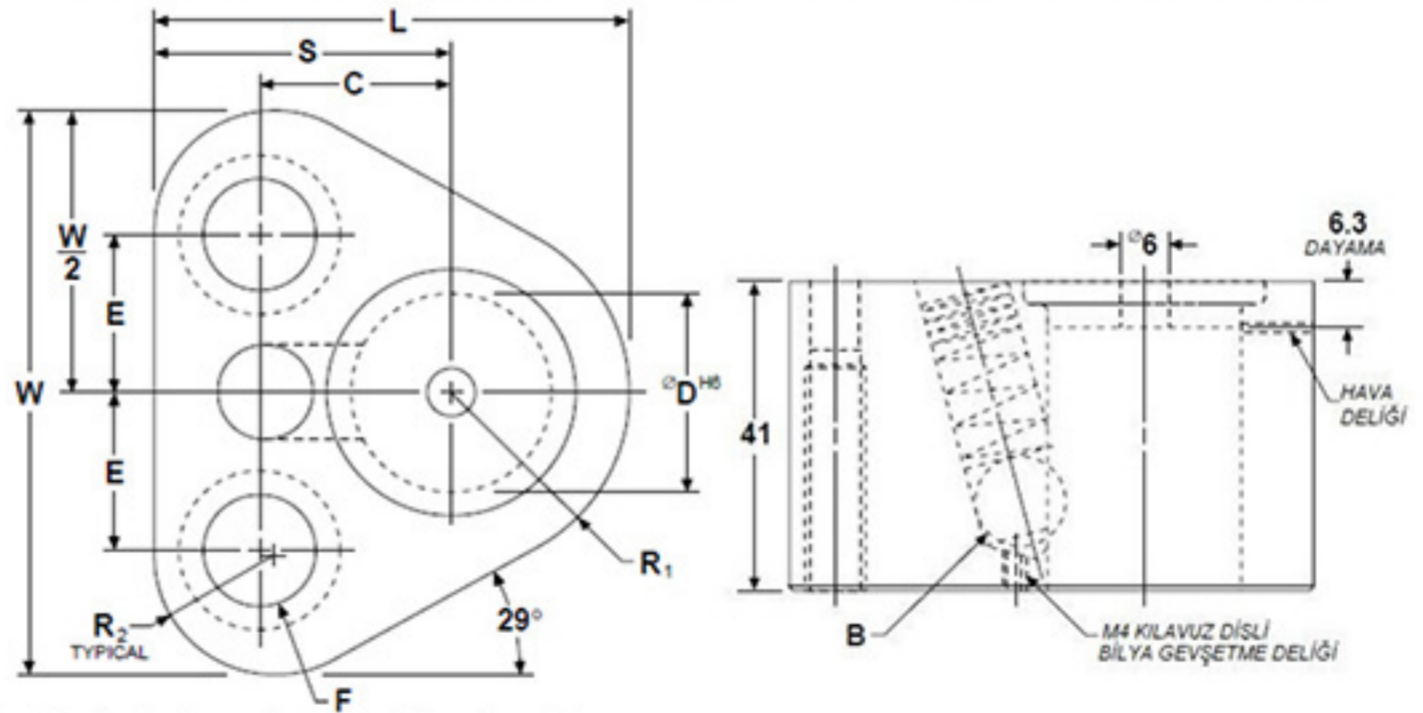
Pimler ve cıvatalar için delikler açılır
Pimler takılır, tutucu yerleştirilir
Cıvatalar ile sabitlenir

TİP	D	W	L	S	A	C	E	X	Y	B	F
BRHT	10	41.0	43.5	34.0	26.924	19.05	11.12	7.5	9.0	10.0	M8
BRHT	13	48.5	49.6	37.0	29.972	19.05	14.27	6.5	12.0	12.0	M8
BRHT	16	51.7	52.7	38.6	31.750	19.05	15.87	6.0	13.5	12.0	M8
BRHT	20	56.8	59.3	41.9	33.528	19.05	17.47	5.0	16.5	12.0	M10
BRHT	25	64.5	68.9	46.7	40.640	23.82	19.84	7.0	22.0	12.0	M12
BRHT	32	64.5	68.9	46.7	40.640	23.82	19.84	7.0	22.0	12.0	M12
BRHT	40	72.9	76.4	50.5	43.993	27.00	24.00	10.0	22.0	12.0	M12

BRHR™
BALL-LOCK
RETAINER
HEAVY-DUTY
ROUND



BRHR SERİSİ YUVARLAK TUTUCU



TAKIM İÇERİĞİ:

- 2 adet allen başlı Cıvata
- Bilya gevşetme setskuru

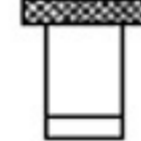
Tru-lock tutucudan farklı olarak,
pim yoktur ve boyut küçültülmüştür

TİP	D	W	L	S	A	C	E	X	Y	B	F
BRHR	10	41.0	43.5	34.0	26.924	19.05	11.12	7.5	9.0	10.0	M8
BRHR	13	48.5	49.6	37.0	29.972	19.05	14.27	6.5	12.0	12.0	M8
BRHR	16	51.7	52.7	38.6	31.750	19.05	15.87	6.0	13.5	12.0	M8
BRHR	20	56.8	59.3	41.9	33.528	19.05	17.47	5.0	16.5	12.0	M10
BRHR	25	64.5	68.9	46.7	40.640	23.82	19.84	7.0	22.0	12.0	M12
BRHR	32	64.5	68.9	46.7	40.640	23.82	19.84	7.0	22.0	12.0	M12
BRHR	40	72.9	76.4	50.5	43.993	27.00	24.00	10.0	22.0	12.0	M12

TRU-LOCK ZIMBA TUTUCU AKSESUARLARI



TUTUCU KODU	ALYAN BAŞ CIVATA	ÇEKTİRME PİMİ	BİLYA	BİLYA İTİCİ CIVATA	TRU-LOCK YAY	OPSİYON. SERT YAY	BOOSTER YAY
BRHT 10	BA M8-40 M8x40	BA 6-20 Ø6x20	BA 71-10 Ø10	BA 94-4 M4x25	BA 82-10 Ø10	BA 83-10 Ø10	BA 84-10 Ø10
BRHT 13	BA M8-40 M8x40	BA 6-20 Ø6x20	BA 71-12 Ø12	BA 94-4 M4x25	BA 82-12 Ø12	BA 83-12 Ø12	BA 84-12 Ø12
BRHT 16	BA M8-40 M8x40	BA 6-20 Ø6x20	BA 71-12 Ø12	BA 94-4 M4x25	BA 82-12 Ø12	BA 83-12 Ø12	BA 84-12 Ø12
BRHT 20	BA M10-50 M10x50	BA 6-20 Ø6x20	BA 71-12 Ø12	BA 94-4 M4x25	BA 82-12 Ø12	BA 83-12 Ø12	BA 84-12 Ø12
BRHT 25	BA M10-50 M10x50	BA 6-20 Ø6x20	BA 71-12 Ø12	BA 94-4 M4x25	BA 82-12 Ø12	BA 83-12 Ø12	BA 84-12 Ø12
BRHT 32	BA M10-50 M10x50	BA 6-20 Ø6x20	BA 71-12 Ø12	BA 94-4 M4x25	BA 82-12 Ø12	BA 83-12 Ø12	BA 84-12 Ø12
BRHT 40	BA M10-50 M10x50	BA 6-20 Ø6x20	BA 71-12 Ø12	BA 94-4 M4x25	BA 82-12 Ø12	BA 83-12 Ø12	BA 84-12 Ø12



TUTUCU KODU	PİMLİ TAPA	KAPALI TAPA	SETSKUR	MATKAP KOVANI	RAYBA KOVANI	TUTUCU SOMUNU
BRHT 10	BA 91-10 Ø6 delik	BA 93-10	BA 96-8 M8x8	RDB 10	RRB 10	RN 8
BRHT 13	BA 91-13 Ø6 delik	BA 93-13	BA 96-8 M8x8	RDB 13	RRB 13	RN 8
BRHT 16	BA 91-16 Ø6 delik	BA 93-16	BA 96-8 M8x8	RDB 16	RRB 16	RN 8
BRHT 20	BA 91-20 Ø6 delik	BA 93-20	BA 96-8 M8x8	RDB 20	RRB 20	RN 10
BRHT 25	BA 91-25 Ø6 delik	BA 93-25	BA 96-8 M8x8	RDB 25	RRB 25	RN 12
BRHT 32	BA 91-32 Ø6 delik	BA 93-32	BA 96-8 M8x8	RDB 32	RRB 32	RN 12
BRHT 40	BA 91-40 Ø6 delik	BA 93-40	BA 96-8 M8x8	RDB 40	RRB 40	RN 12

SÖKME ALETLERİ

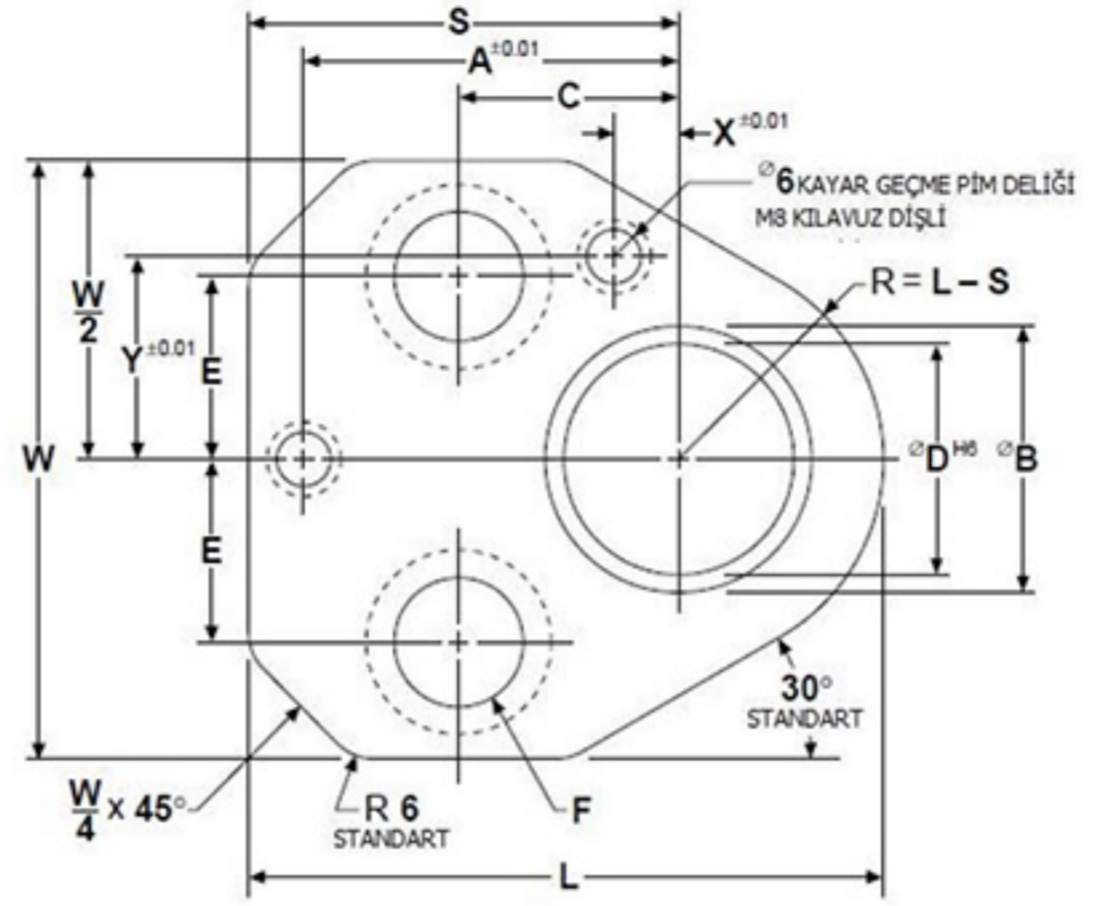
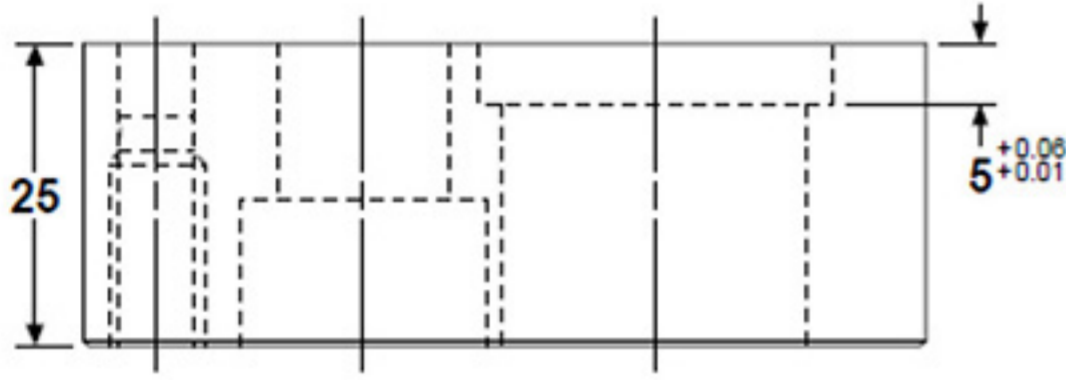


PRSR

PEERLESS
RETAINER
SHOULDER
ROUND



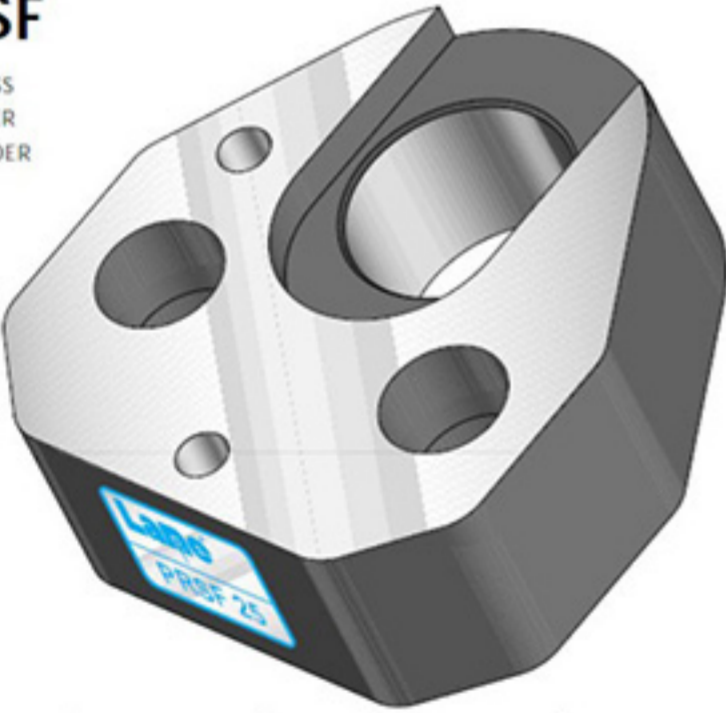
PRSR SERİSİ ŞAPKALI TUTUCU



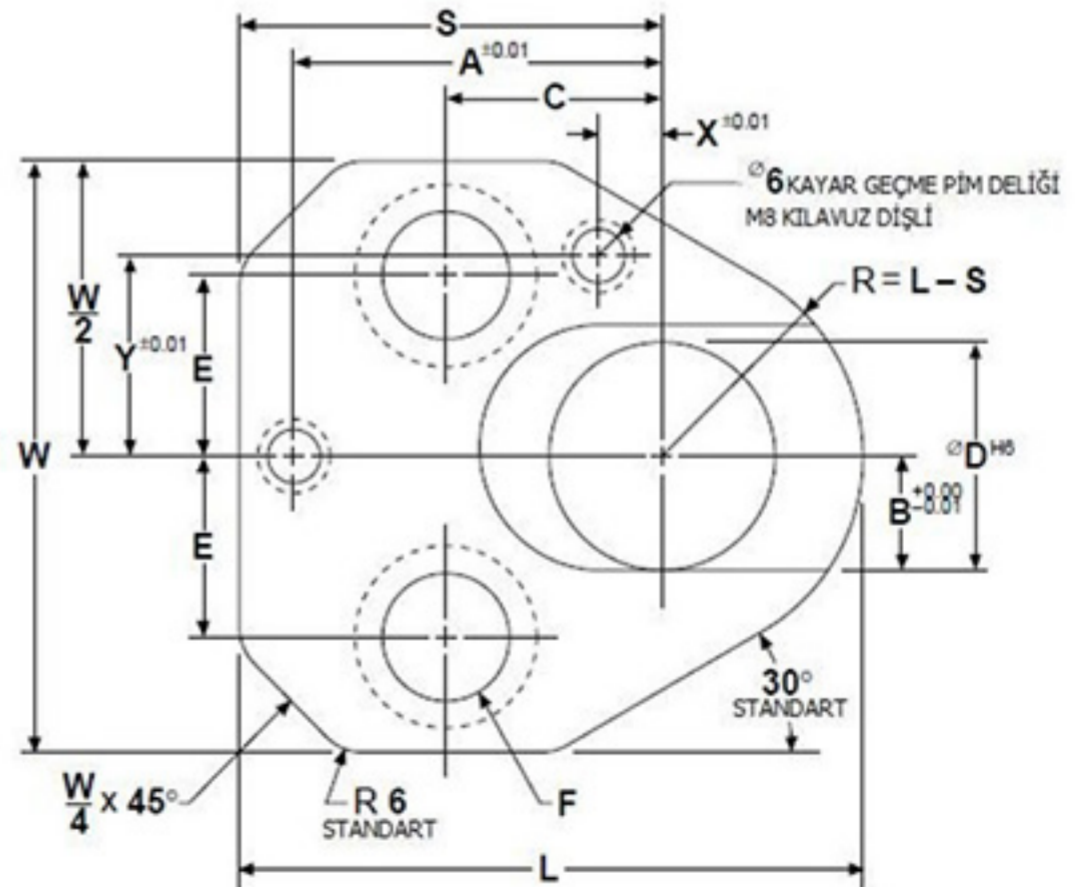
TİP	D	W	L	S	A	C	E	X	Y	B	F
PRSR	10	41.0	43.5	34.0	26.924	19.05	11.12	7.5	9.0	14.0	M8
PRSR	13	48.5	49.6	37.0	29.972	19.05	14.27	6.5	12.0	17.0	M8
PRSR	16	51.7	52.7	38.6	31.750	19.05	15.87	6.0	13.5	20.0	M8
PRSR	20	56.8	59.3	41.9	33.528	19.05	17.47	5.0	16.5	24.0	M10
PRSR	25	64.5	68.9	46.7	40.640	23.82	19.84	7.0	22.0	29.0	M12
PRSR	32	64.5	68.9	46.7	40.640	23.82	19.84	7.0	22.0	36.0	M12

PRSF

PEERLESS
RETAINER
SHOULDER
FORM



PRSF SERİSİ FORMLU TUTUCU



TİP	D	W	L	S	A	C	E	X	Y	B	F
PRSF	10	41.0	43.5	34.0	26.924	19.05	11.12	7.5	9.0	5.0	M8
PRSF	13	48.5	49.6	37.0	29.972	19.05	14.27	6.5	12.0	6.5	M8
PRSF	16	51.7	52.7	38.6	31.750	19.05	15.87	6.0	13.5	8.0	M8
PRSF	20	56.8	59.3	41.9	33.528	19.05	17.47	5.0	16.5	10.0	M10
PRSF	25	64.5	68.9	46.7	40.640	23.82	19.84	7.0	22.0	12.5	M12
PRSF	32	64.5	68.9	46.7	40.640	23.82	19.84	7.0	22.0	16.0	M12

ŞAPKALI ZIMBA TUTUCU AKSESUARLARI

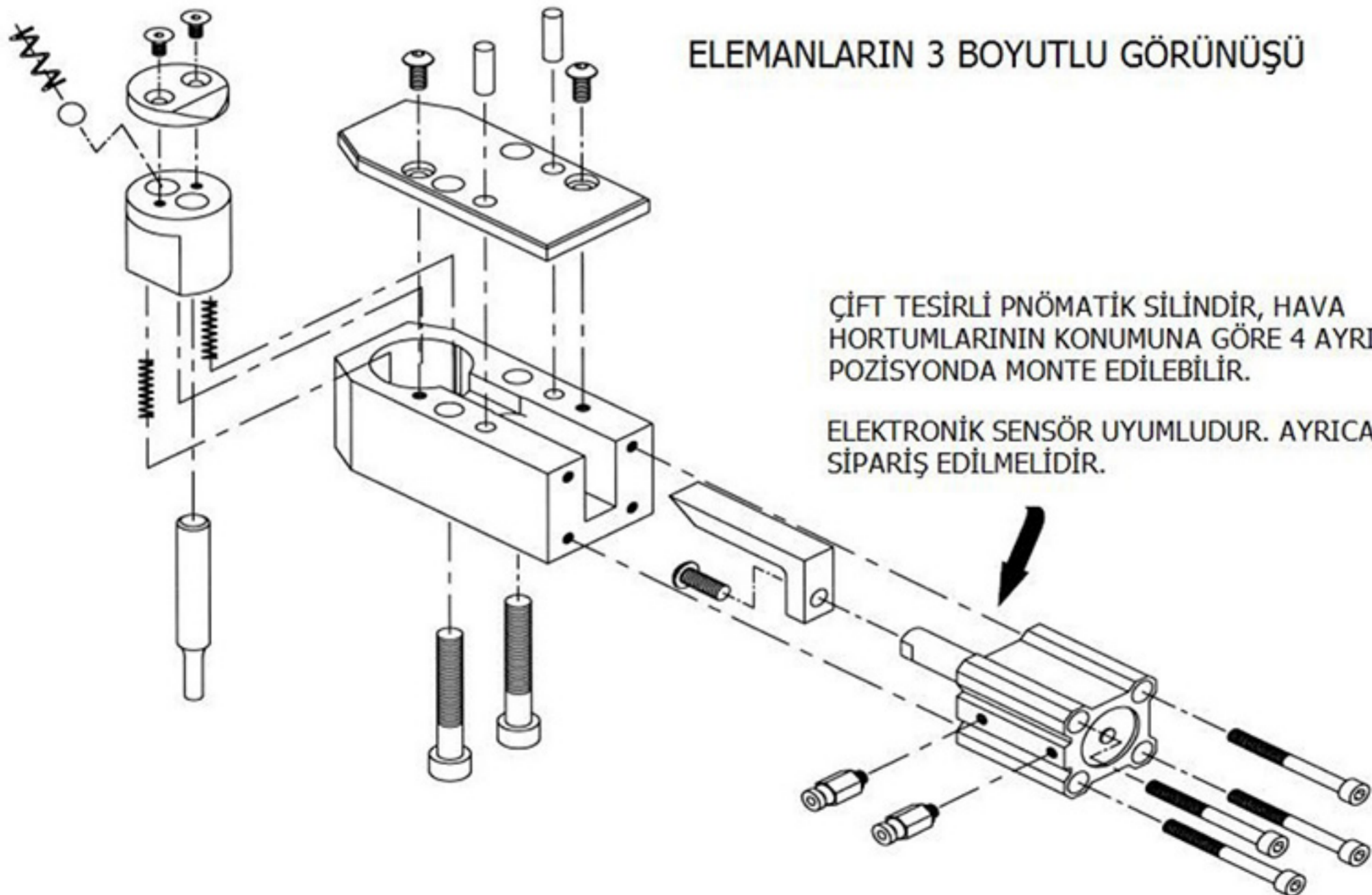


TUTUCU KODU	TUTUCU KODU	ALYAN BAŞ CIVATA	ÇEKTİRME PİMİ	SETSKUR	DARBE PLAKASI	ŞİM PLAKA	TUTUCU SOMUNU
PRSR 10	PRSF 10	BA M8-35 M8x35	BA 6-20 Ø6x20	BA 96-8 M8x8	GBP 10 5mm kalın.	GSP 10 2mm kalın.	RN 8
PRSR 13	PRSF 13	BA M8-35 M8x35	BA 6-20 Ø6x20	BA 96-8 M8x8	GBP 13 5mm kalın.	GSP 13 2mm kalın.	RN 8
PRSR 16	PRSF 16	BA M8-35 M8x35	BA 6-20 Ø6x20	BA 96-8 M8x8	GBP 16 5mm kalın.	GSP 16 2mm kalın.	RN 8
PRSR 20	PRSF 20	BA M10-35 M10x35	BA 6-20 Ø6x20	BA 96-8 M8x8	GBP 20 5mm kalın.	GSP 20 2mm kalın.	RN 10
PRSR 25	PRSF 25	BA M12-35 M12x35	BA 6-20 Ø6x20	BA 96-8 M8x8	GBP 25 5mm kalın.	GSP 25 2mm kalın.	RN 12
PRSR 32	PRSF 32	BA M12-35 M12x35	BA 6-20 Ø6x20	BA 96-8 M8x8	GBP 32 5mm kalın.	GSP 32 2mm kalın.	RN 12

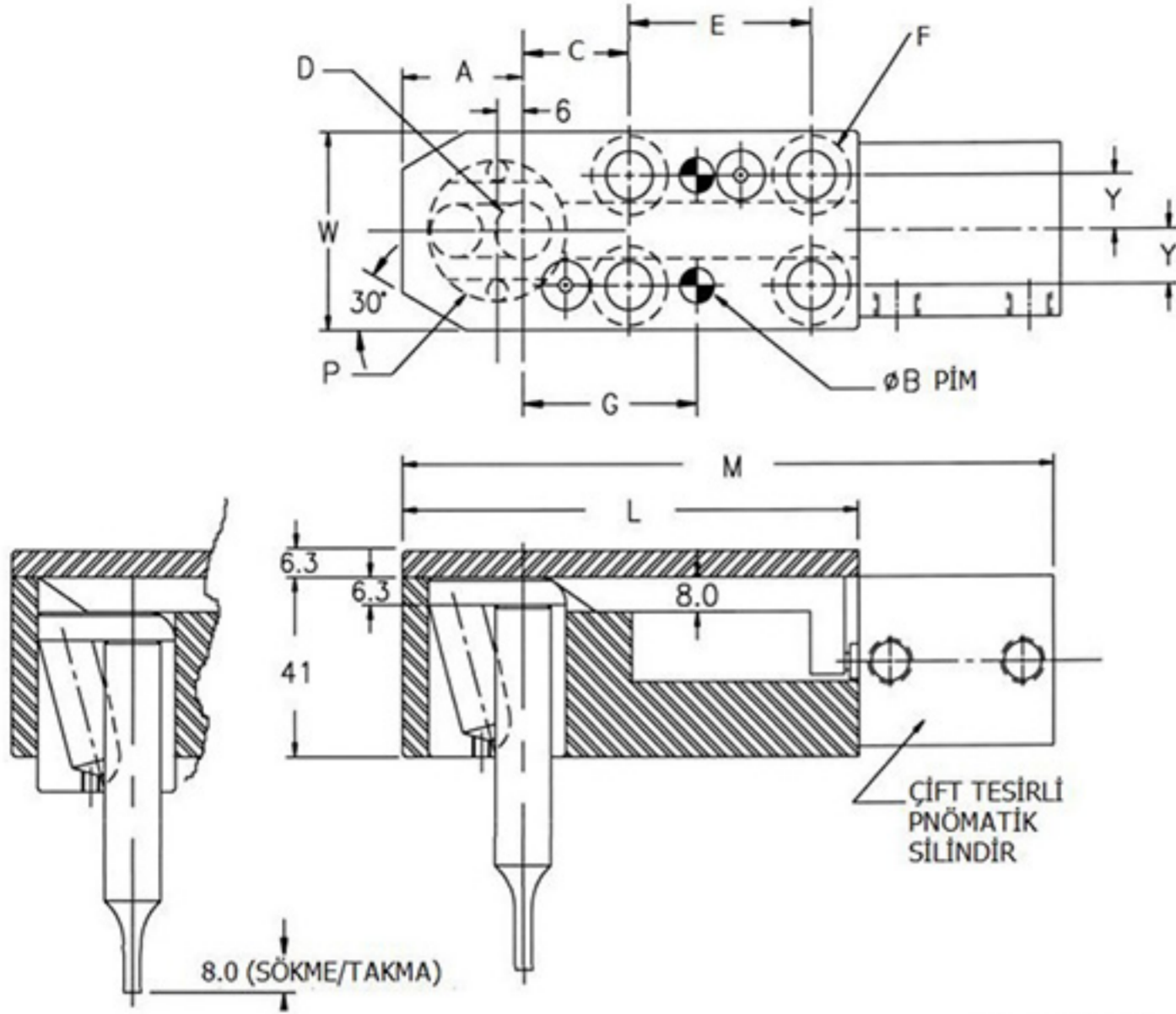
PNÖMATİK ZIMBA TUTUCU



- DURUŞ SÜRESİNİ AZALTIR. SANİYELER İÇİNDE ZIMBA DEĞİŞTİRİLEBİLİR
- BİLYALI VEYA ŞAPKALI TİPLERDE MEVCUTTUR
- %100 DEĞİŞTİRİLEBİLİR CIVATA VE PİMLER İÇERİR
- SAĞ/SOL EL İÇİN TASARIMCI DOSTUDUR
- TRU-LOCK SIYIRICI TAKILABİLİR
- TÜM DÜNYADA ONAYLANMIŞ VE KULLANILAN TASARIM

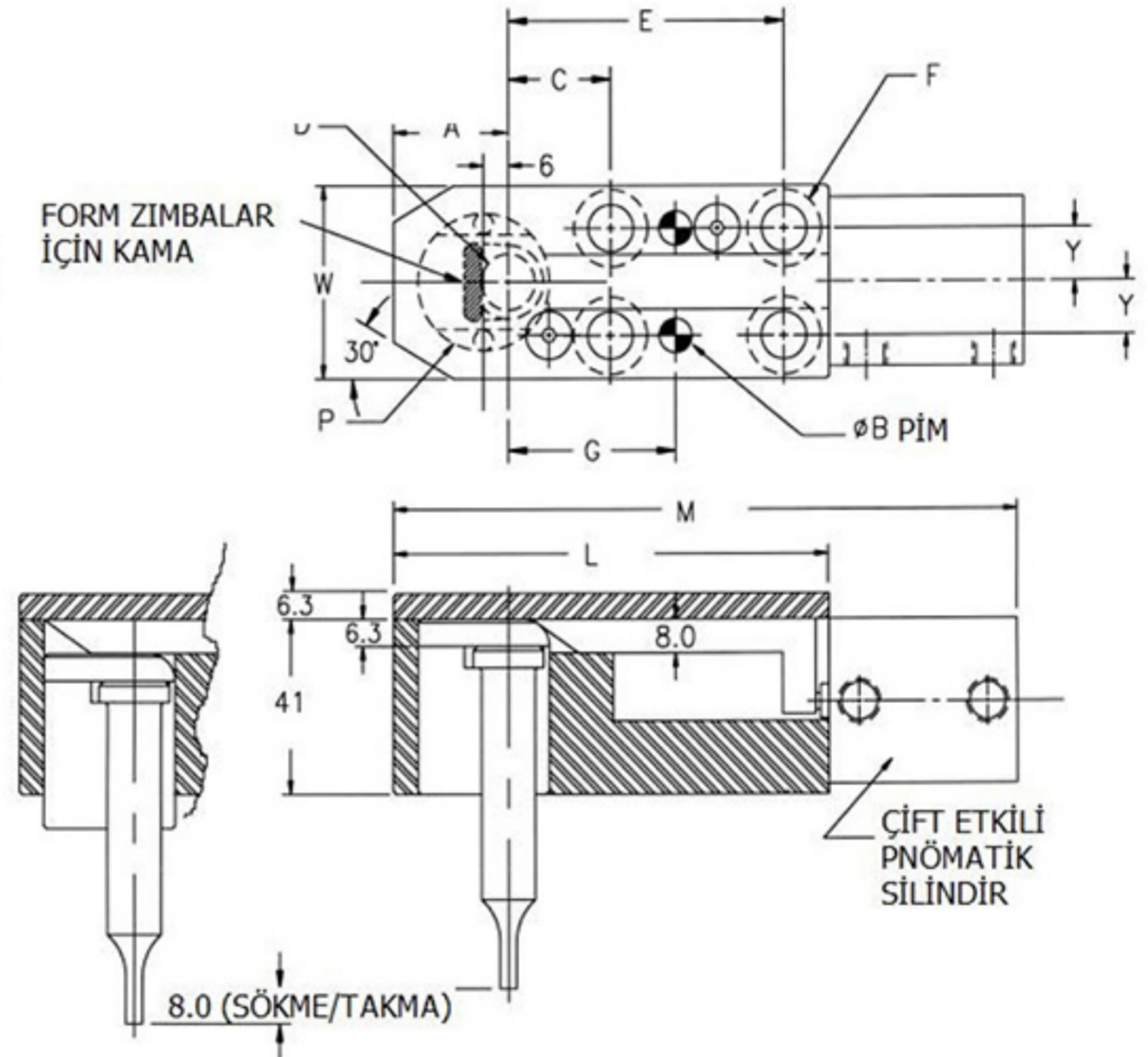


BİLYALI PNÖMATİK ZIMBA TUTUCU



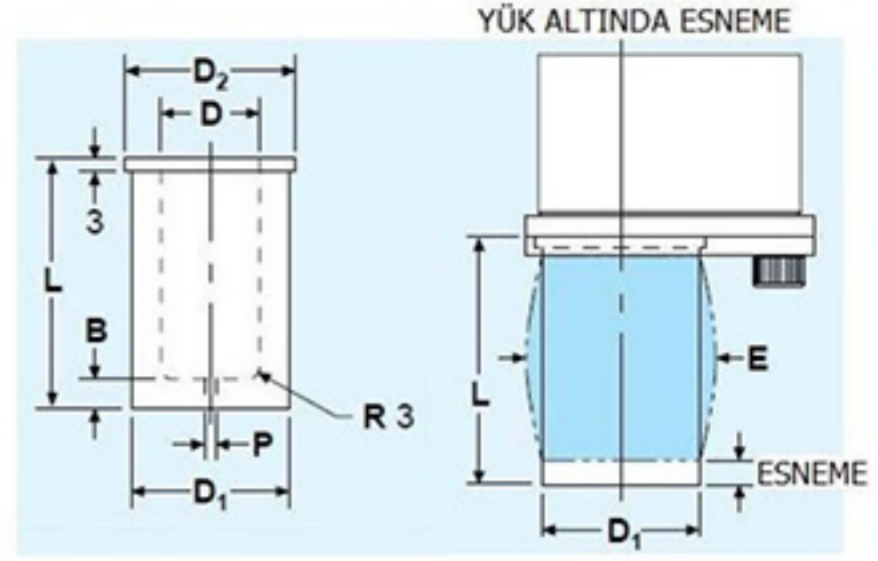
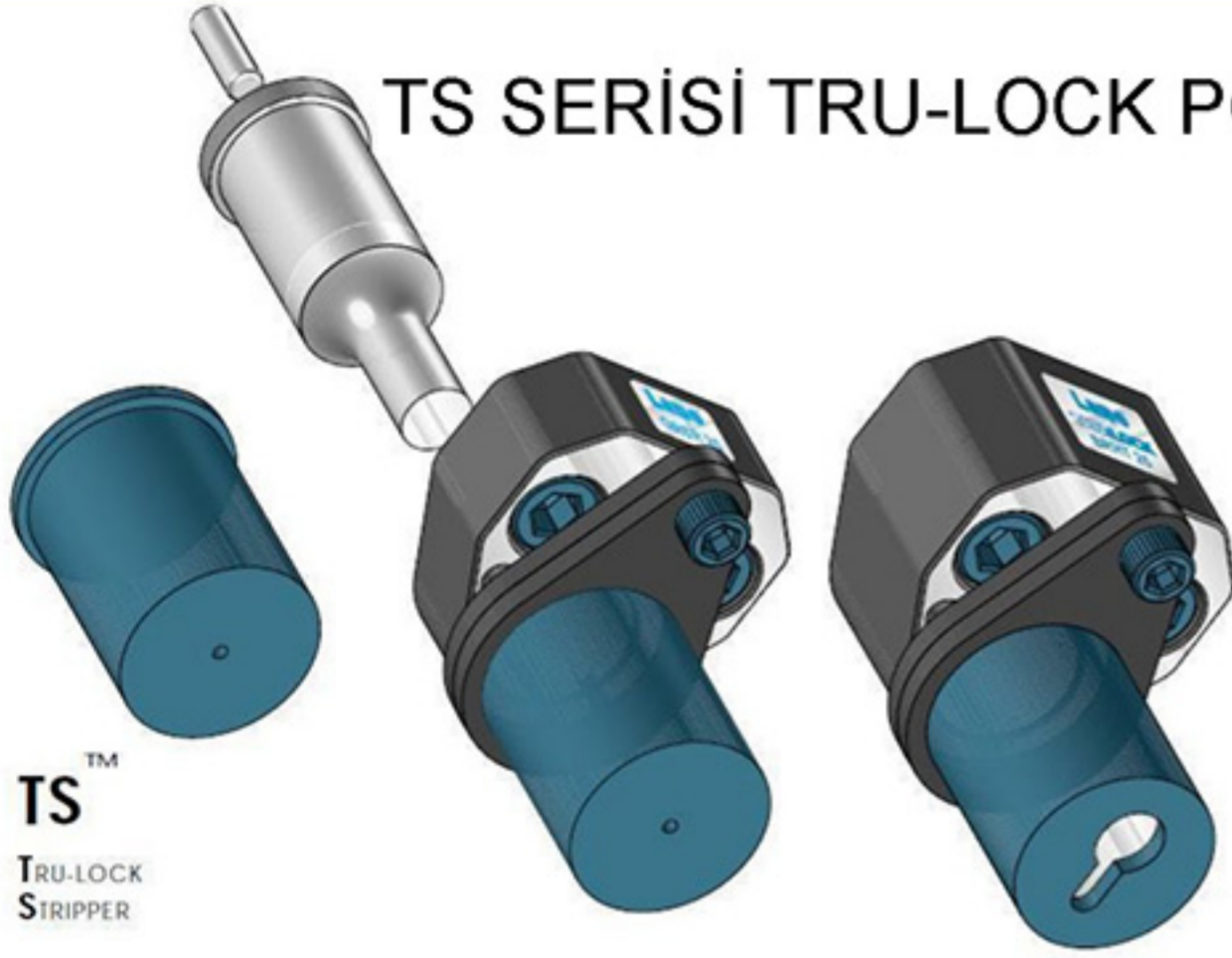
ŞAPKALI PNÖMATİK ZIMBA TUTUCU

FORM ZİMBALAR
İÇİN KAMA



BİLYALI	ŞAPKALI	D	P	W	L	M	SİLİNDİR	A	C	F	G	Y	B
-	GRSQ06/08	6/8	32	46	100	158	BA25/25	28	21	M8	37	15.0	6
BRHQ 10	GRSQ 10	10	32	46	100	158	BA25/25	28	21	M8	37	15.0	6
BRHQ 13	GRSQ 13	13	32	50	100	158	BA25/25	28	25	M10	41	15.0	6
BRHQ 16	GRSQ 16	16	40	50	114	182	BA25/35	31	25	M10	41	15.0	6
BRHQ 20	GRSQ 20	20	40	58	114	182	BA32/35	31	29	M10	45	19.0	6
BRHQ 25	GRSQ 25	25	45	58	114	182	BA32/35	33	29	M10	45	19.0	6
BRHQ 32	GRSQ 32	32	60	80	156	239	BA32/50	44	38	M12	60	28.0	8
-	GRSQ 38	28	60	80	156	239	BA32/50	44	38	M12	60	28.0	8
BRHQ 40	GRSQ40	40	60	80	156	239	BA32/50	44	38	M12	60	28.0	8

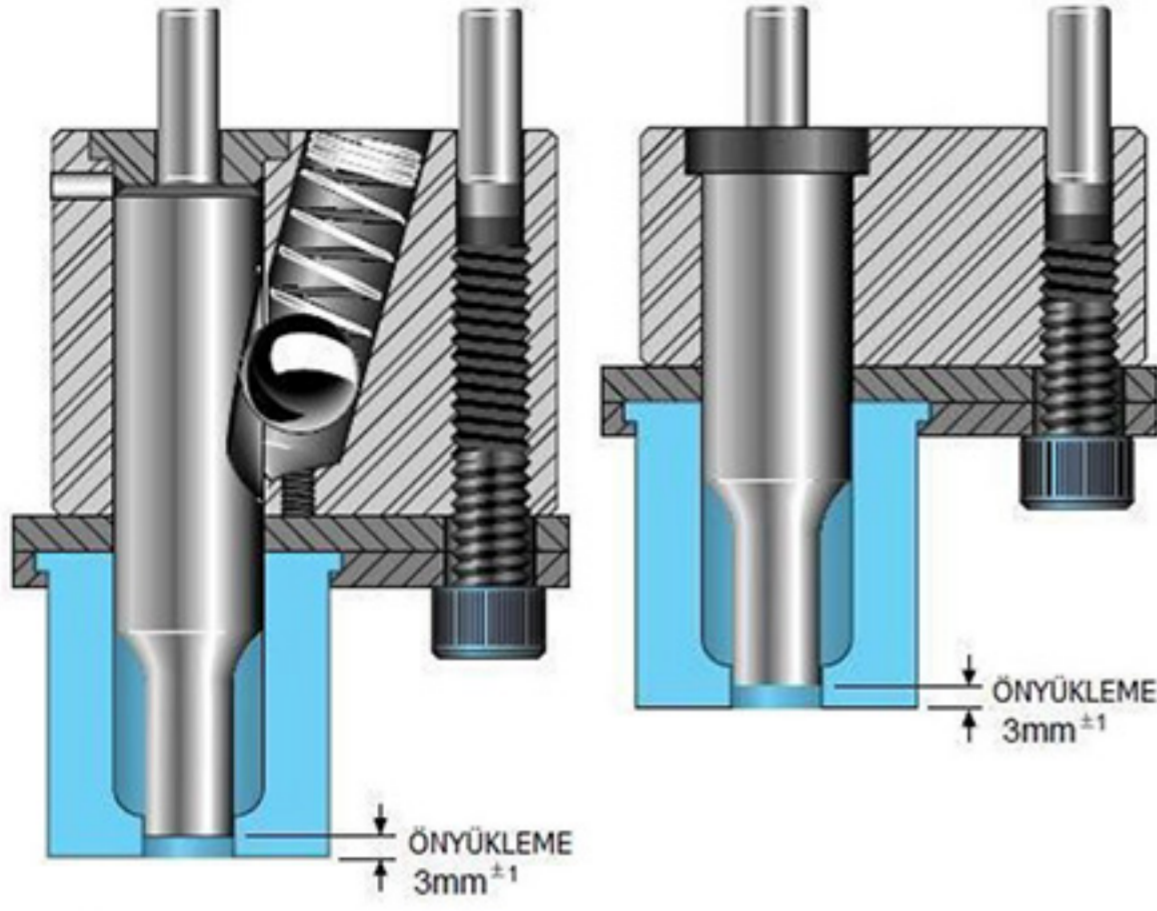
TS SERİSİ TRU-LOCK POLİÜRETAN SIYIRICILAR



TSTM
TRU-LOCK
STRIPPER

TİP	D	L	D1	D2	B	P	ESNEME İÇİN SIYIRMA KUVVETİ (N)			E max.
							3mm	6mm	9mm	
TS	10	28	18	21	6	3	1642	-	-	22,0
		35					1313	2101	-	
		43					1066	1706	2728	
		53					868	1389	1805	
		63					730	1168	1518	
TS	13	28	23	26	6	3	2627	-	-	26,5
		35					2102	3363	-	
		43					1710	2736	3557	
		53					1388	2221	2887	
		63					1168	1869	2429	
		73					1008	1612	2097	
TS	16	28	30	33	6	3	3809	-	-	34,0
		35					3047	4875	-	
		43					2514	4022	5229	
		53					2012	3219	4185	
		63					1693	2709	3521	
		73					1461	2338	3039	
TS	20	28	33	36	7	3	4466	-	-	38,0
		35					3573	5717	-	
		43					2908	4653	6049	
		53					2359	3774	4907	
		63					1985	3176	4129	
		73					1712	2739	3561	
TS	25	35	40	43	7	3	5463	8741	-	47,6
		43					4447	7115	925	
		53					3609	5774	7507	
		63					3035	4856	6313	
		73					262	4196	545	
TS	32	35	50	54	7	4	8406	1345	-	57,9
		43					6841	10946	14229	
		53					5513	8821	11467	
		63					4670	7472	9714	
		73					4030	6448	8382	
TS	40	43	60	64	8	4	10391	16626	21613	69,6
		53					8469	1355	17616	
		63					7093	11349	14753	
		73					6121	9794	12732	

TS SERİSİ TRU-LOCK POLİÜRETAN SIYIRICILAR



BİLYALI TUTUCU MONTAJI

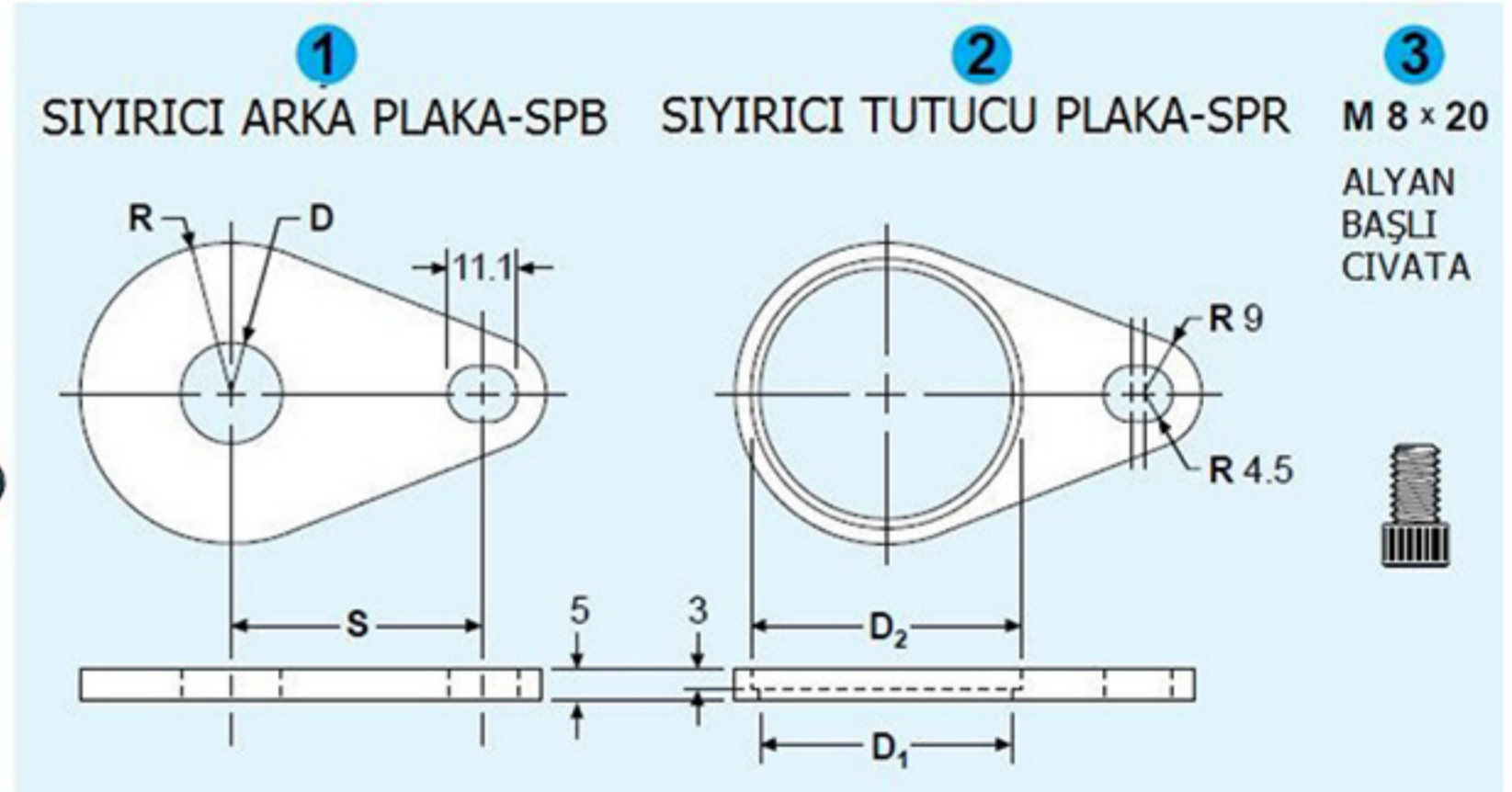
ŞAPKALI TUTUCU MONTAJI

TİP	D	SIYIRICI BOYU – L					
		28	35	43	53	63	73
TS	10	28	35	43	53	63	
	13	28	35	43	53	63	73
	16	28	35	43	53	63	73
	20	28	35	43	53	63	73
	25		35	43	53	63	73
	32		35	43	53	63	73
	40			43	53	63	73
KULLANILACAK ZIMBA BOYU							
BİLYALI			71	80	90	100	110
ŞAPKALI		56	63	71	80	90	100

SPA – SIYIRICI PLAKASI

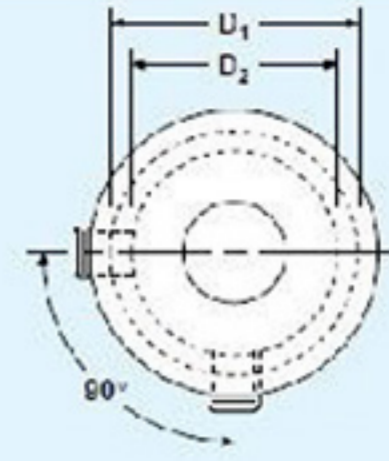
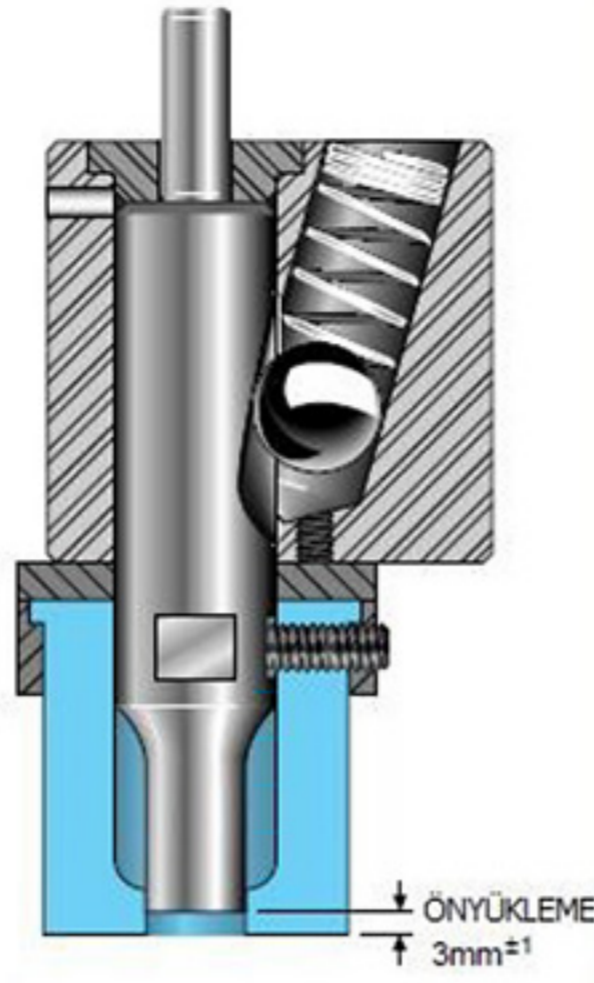


SPATM
STRIPPER
PLATE
ASSEMBLY

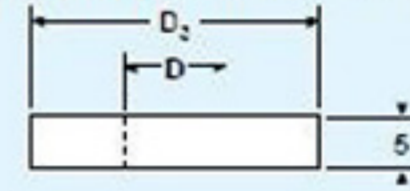


1,2 VE 3 TAKIM	1-ARKA PLAKA	2-TUTUCU PLAKA	D1	D2	R	S
SPA 10	SPB 10	SPR 10	18	21	13.0	28.0
SPA 13	SPB 13	SPR 13	23	26	15.5	31.0
SPA 16	SPB 16	SPR 16	30	33	19.0	32.9
SPA 20	SPB 20	SPR 20	33	36	20.5	34.7
SPA 25	SPB 25	SPR 25	40	43	24.0	39.8
SPA 32	SPB 32	SPR 32	50	54	31.0	41.3
SPA 40	SPB 40	SPR 40	60	64	36.0	44.0

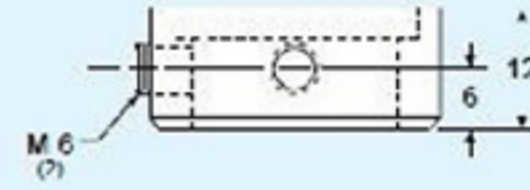
SCA SERİSİ BİLEZİKLİ POLİÜRETAN SIYIRICILAR



1 BİLEZİKLİ SIYIRICI ARKA-SCB

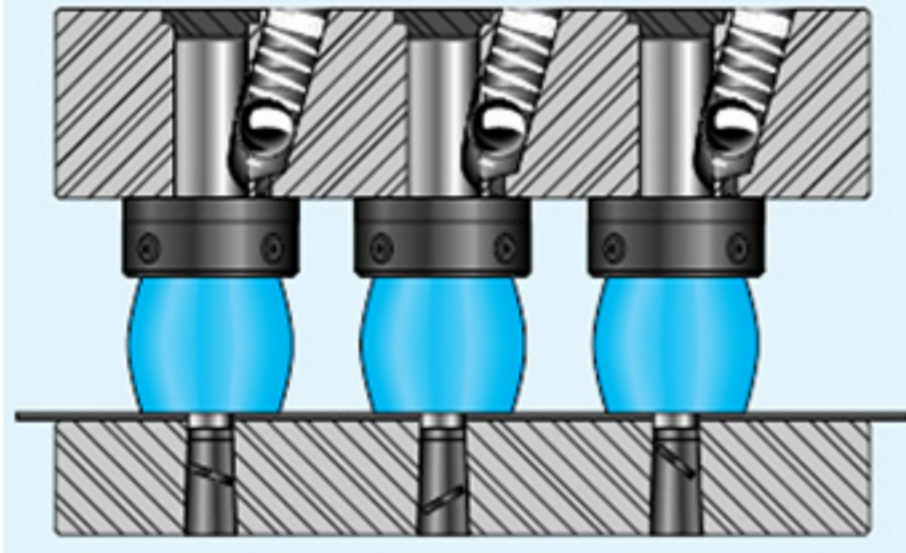


2 BİLEZİKLİ SIYIRICI TUTUCU-SCR

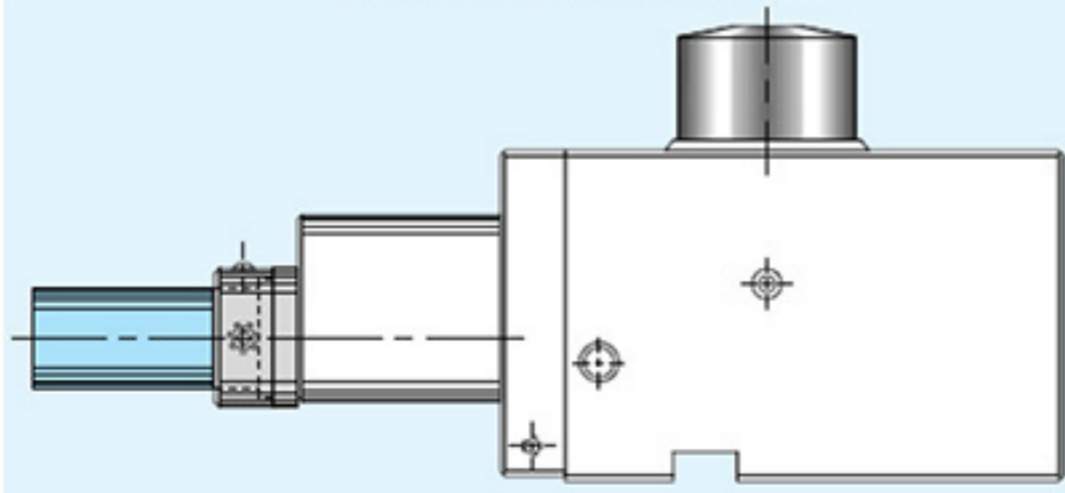


1 VE 2 TAKIM	1-ARKA	2-TUTUCU	D1	D2	D3
SCA 10	SCB 10	SCR 10	18	21	26
SCA 13	SCB 13	SCR 13	23	26	31
SCA 16	SCB 16	SCR 16	30	33	38
SCA 20	SCB 20	SCR 20	33	36	41
SCA 25	SCB 25	SCR 25	40	43	48
SCA 32	SCB 32	SCR 32	50	54	62
SCA 40	SCB 40	SCR 40	60	64	72

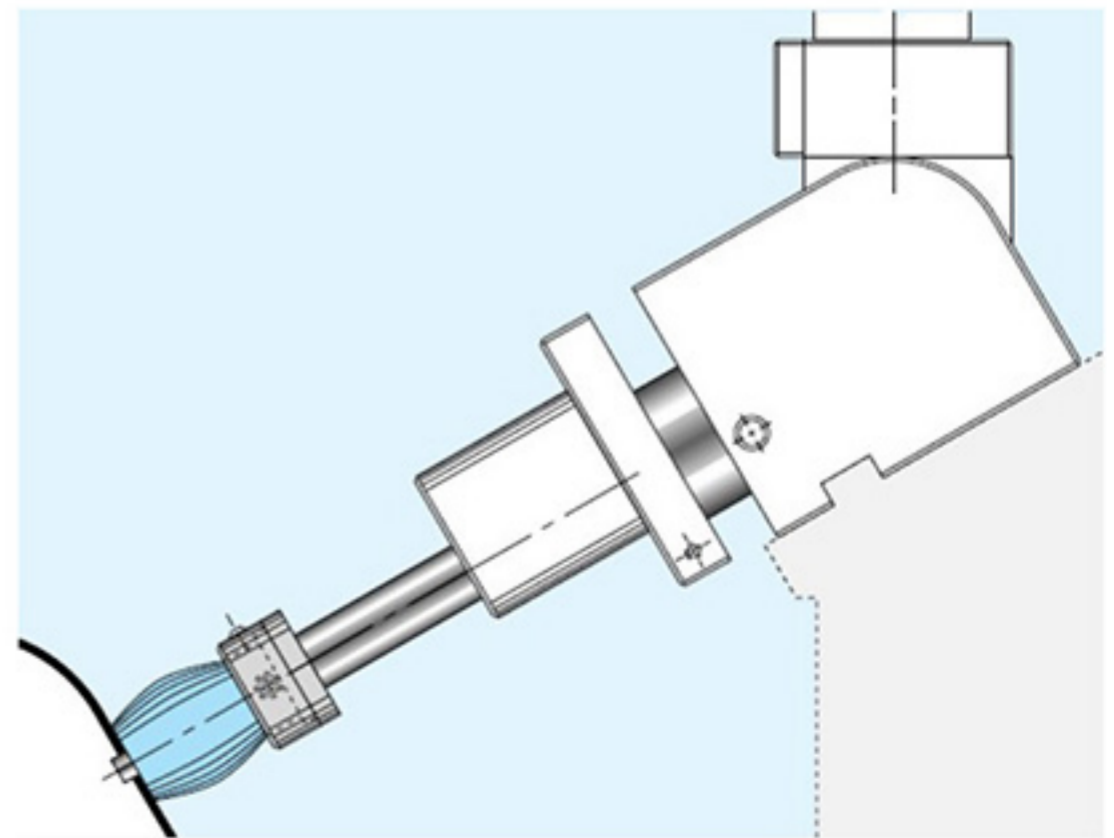
ÇOKLU ZIMBA TUTUCULARDA



KAM ÜNİTELERİNDE

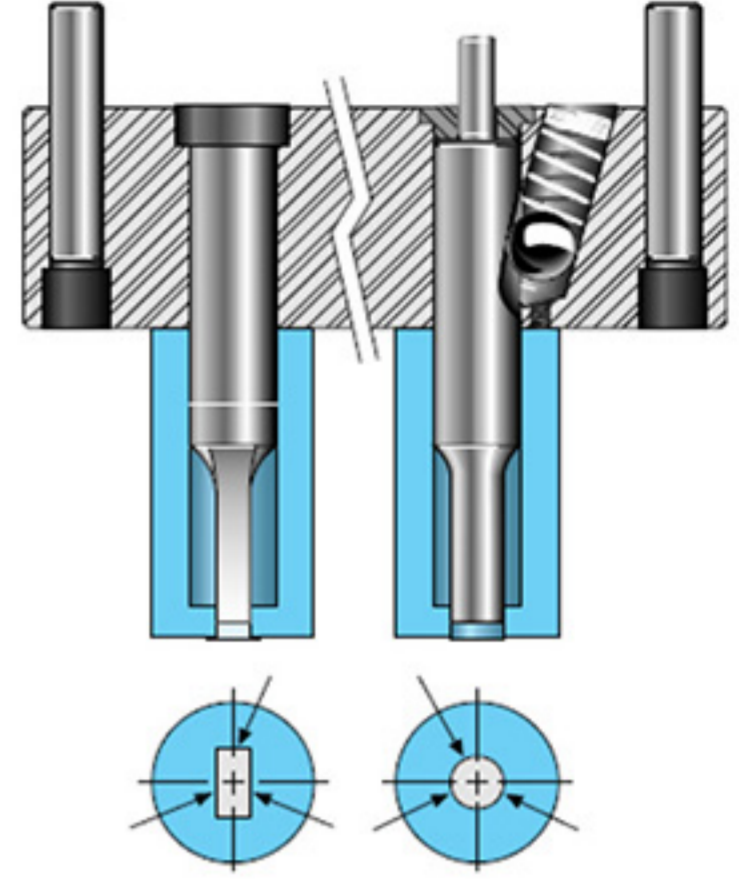
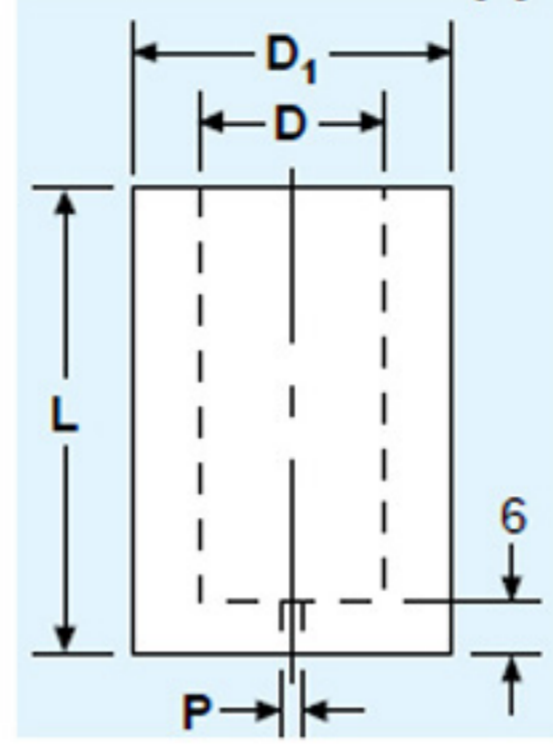
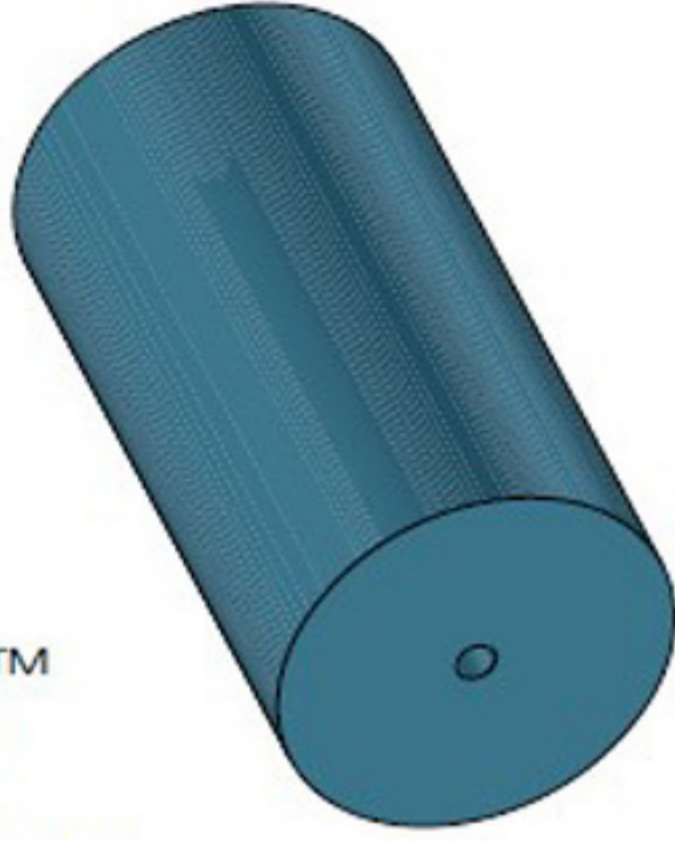


UÇAR KAM ÜNİTELERİNDE



CS SERİSİ KAPALI UÇLU POLİÜRETAN SIYIRICILAR

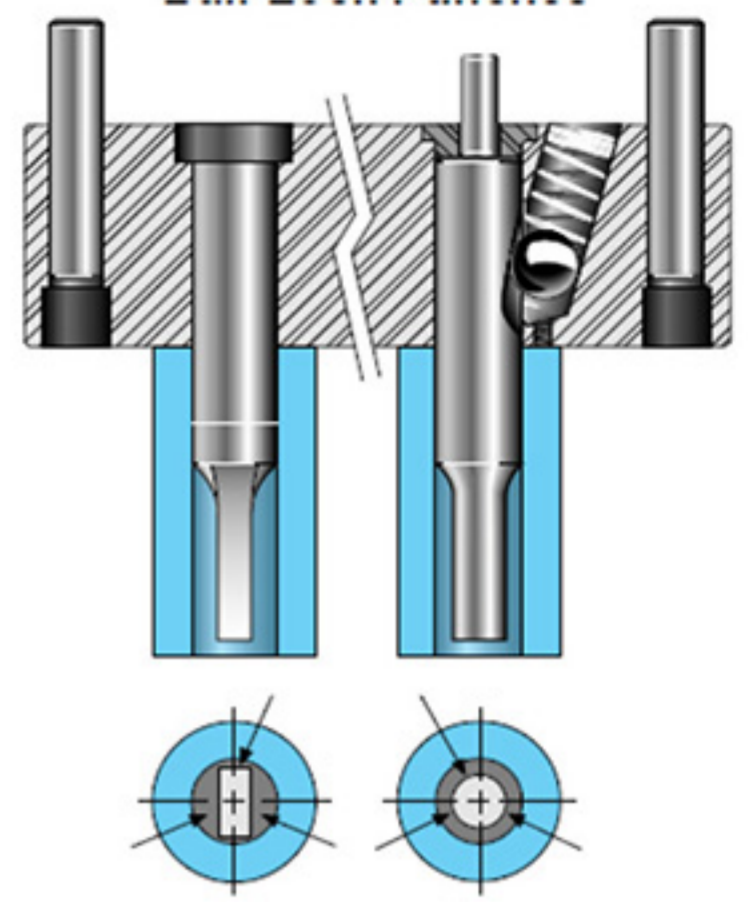
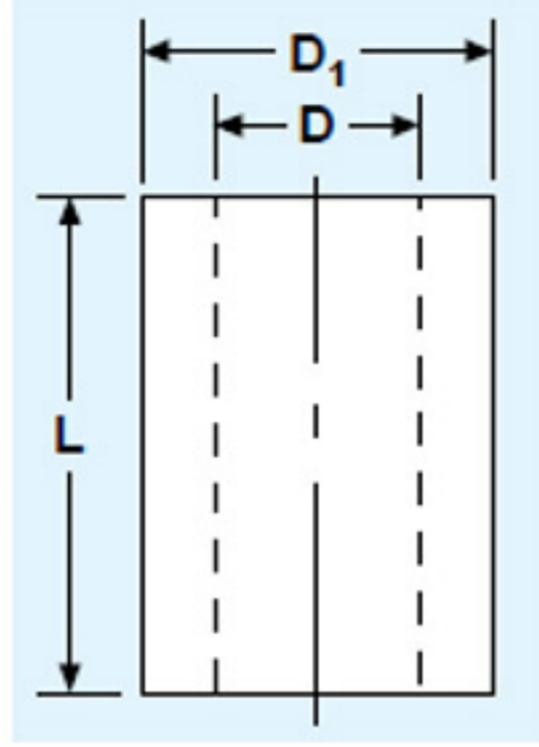
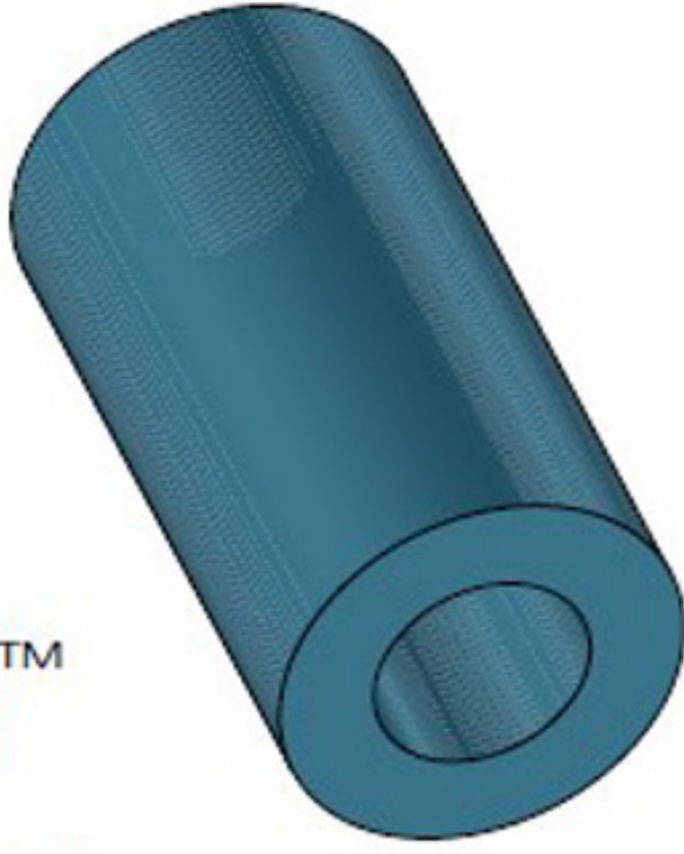
CSTM
CLOSED-END
STRIPPER



TİP	D	L	D1	P	ESNEME İÇİN SIYIRMA KUVVETİ (N)			ZIMBA BOYU	
					3mm	6mm	9mm	BİLYALI	ŞAPKALI
CS	6	40	19	1,6	1310	2096	2725	71	63
		48			1110	1776	2309	80	71
		58			908	1453	1889	90	80
CS	8	40	21	1,6	1519	2430	3159	71	63
		48			1276	2042	2655	80	71
		58			1053	1685	2190	90	80
CS	10	40	23	2,5	1728	2765	3594	71	63
		48			1452	2323	3020	80	71
		58			1199	1918	2494	90	80
		68			1014	1622	2109	100	90
CS	13	40	26	3	2043	3269	4249	71	63
		48			1716	2746	3569	80	71
		58			1416	2266	2945	90	80
		68			1198	1917	2492	100	90
		78			1062	1699	2209	110	100
CS	16	40	30	3	2595	4152	5398	71	63
		48			2179	3486	4532	80	71
		58			1799	2878	3742	90	80
		68			1452	2323	3020	100	90
		78			1287	2059	2677	110	100
CS	20	40	38	3	4207	6713	8751	71	63
		48			3533	5653	7349	80	71
		58			2917	4667	6067	90	80
		68			2468	3949	5133	100	90
		78			2187	3499	4549	110	100
CS	25	40	50	3	7556	12090	15716	71	63
		48			6347	10123	13160	80	71
		58			5239	8392	10897	90	80
		68			4433	7093	9221	100	90
		78			3829	6126	7964	110	100

OS SERİSİ AÇIK UÇLU POLİÜRETAN SIYIRICILAR

OSTM
OPEN-END
STRIPPER



TİP	D	L	D1	ESNEME İÇİN SIYIRMA KUVVETİ (N)			ZIMBA BOYU	
				3mm	6mm	9mm	BİLYALI	ŞAPKALI
OS	6	40	19	917	1696	2545	71	63
		48		777	1437	2156	80	71
		58		635	1175	1762	90	80
OS	8	40	21	1063	1967	2950	71	63
		48		893	1652	2478	80	71
		58		737	1363	2045	90	80
OS	10	40	23	1210	2239	3358	71	63
		48		1016	1880	2819	80	71
		58		839	1552	2328	90	80
		68		709	1311	1967	100	90
OS	13	40	26	1430	2645	3968	71	63
		48		1201	2221	3332	80	71
		58		991	1833	2750	90	80
		68		839	1552	2328	100	90
		78		743	1374	2062	110	100
OS	16	40	30	1817	3271	4906	71	63
		48		1525	2745	4117	80	71
		58		1259	2266	3399	90	80
		68		1016	1829	2743	100	90
		78		901	1622	2433	110	100
OS	20	40	38	2945	5301	7952	71	63
		48		2473	4451	6677	80	71
		58		2042	3675	5513	90	80
		68		1727	3109	4663	100	90
		78		1531	2756	4134	110	100
OS	25	40	50	5289	9520	14280	71	63
		48		4443	7997	11996	80	71
		58		3667	6601	9901	90	80
		68		3103	5585	8378	100	90
		78		2680	4824	7236	110	100

NUMARATÖR VE TUTUCULARI

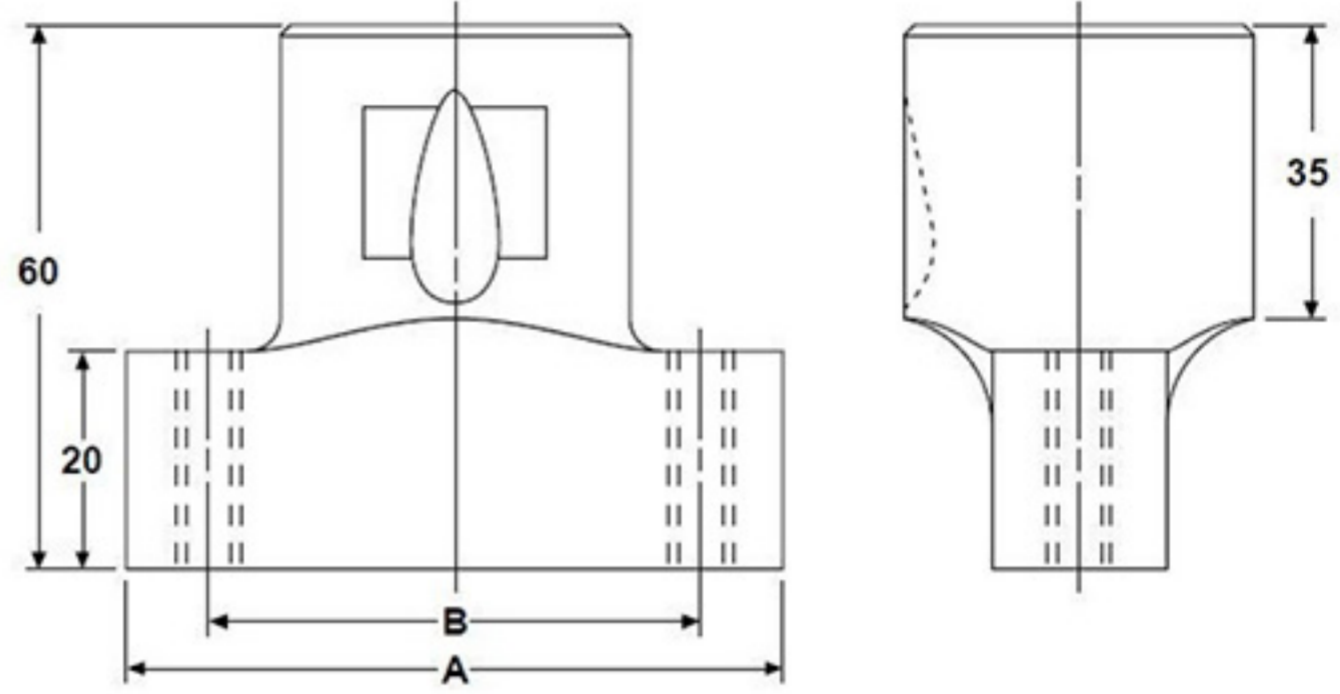
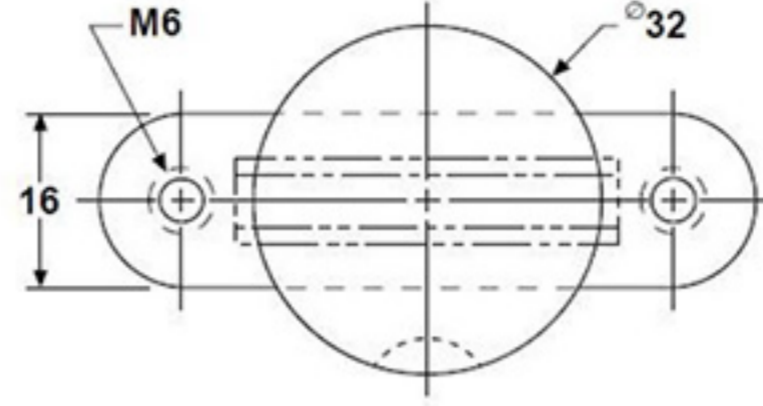
BHHO SERİSİ BİLYALI NUMARATÖR TUTUCU

HIZLI VE KOLAY DEĞİŞİM İÇİN
TASARLANMIŞTIR

3mm KARAKTERLER, RAKAM,
HARF, NOKTA, TİRE VE BOŞ
OLARAK MEVCUTTUR

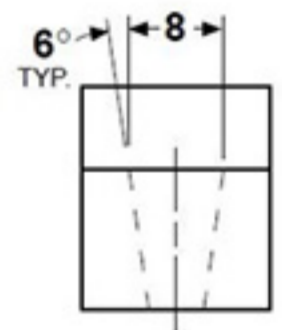
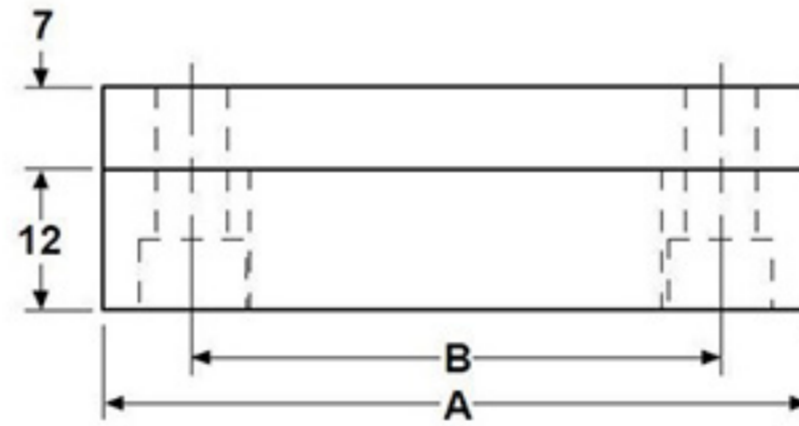
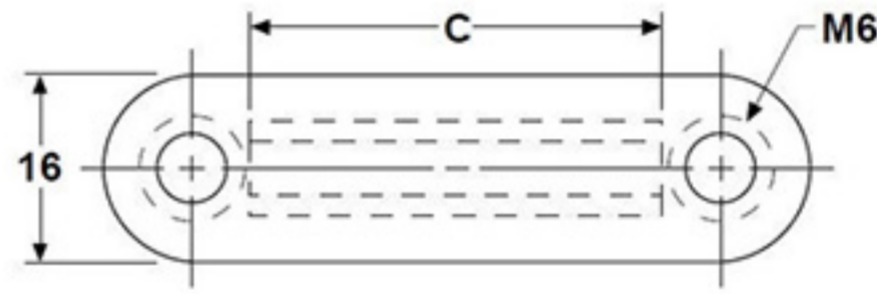
3, 5, 7, 9 VE 12 HANELİ SETLER
HALİNDE MEVCUTTUR

MODEL	HANE	A	B
BHHO 32	3	40	25
	5	50	35
	7	55	40
	9	65	50
	12	75	60



SRA SERİSİ NUMARATÖR KASETİ

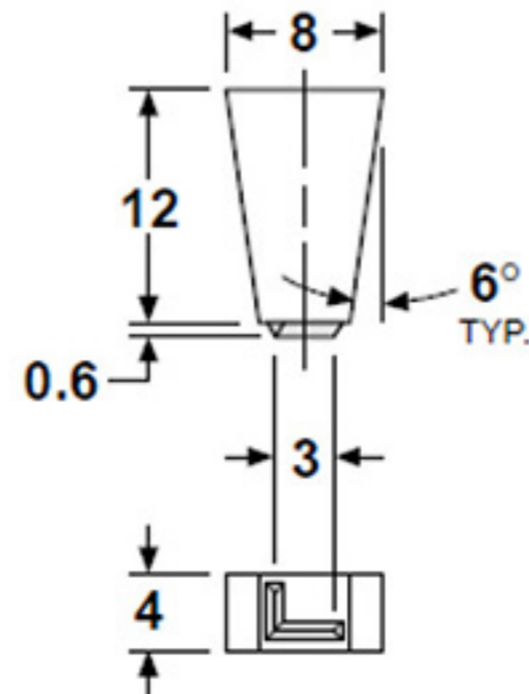
MODEL	HANE	A	B	C
SRA	3	40	25	12
	5	50	35	20
	7	55	40	28
	9	65	50	36
	12	75	60	48



WMS SERİSİ NUMARATÖR

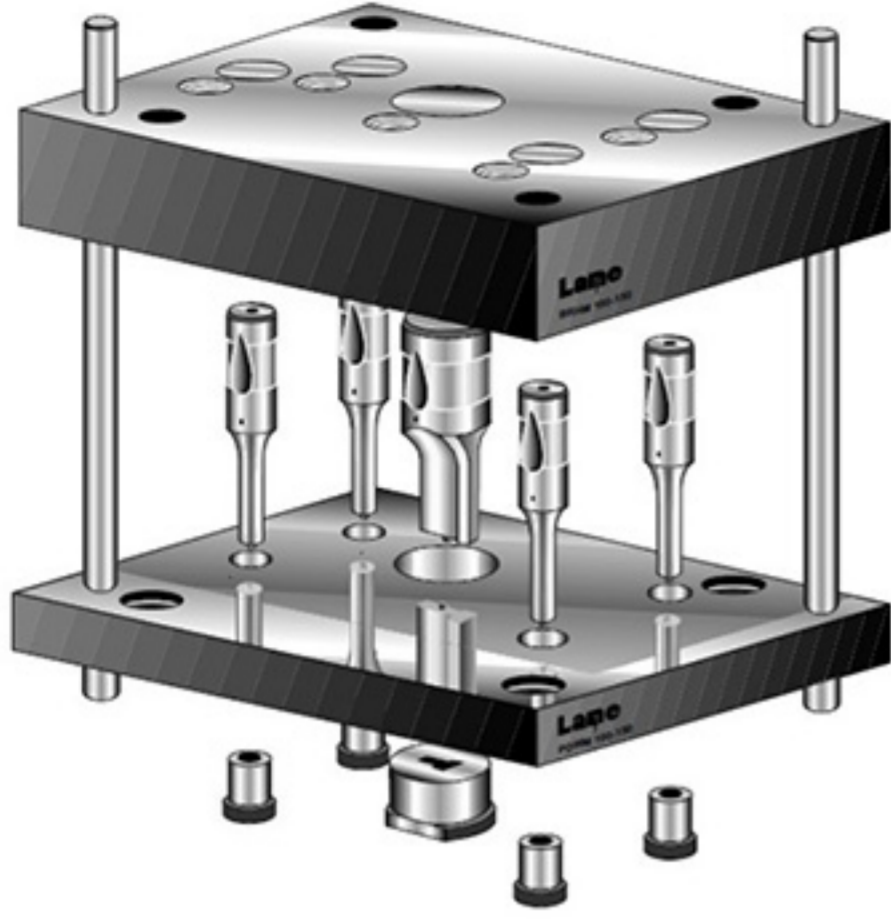
SİPARİŞ ÖRNEĞİ

ADET	KOD	KARAKTER YÜKSEKLİĞİ	KARAKTER
2	WMS	3	L



HIZLI DELME SETLERİ

HIZLI SETLER, mükemmel yataklanmış plakalardan oluşan, zaman kazandıran bir sistemdir. Manüel montaj imkanı ile ihtiyacınıza tam uyan standart plakalar sağlar.



BİLYALI HIZLI SET

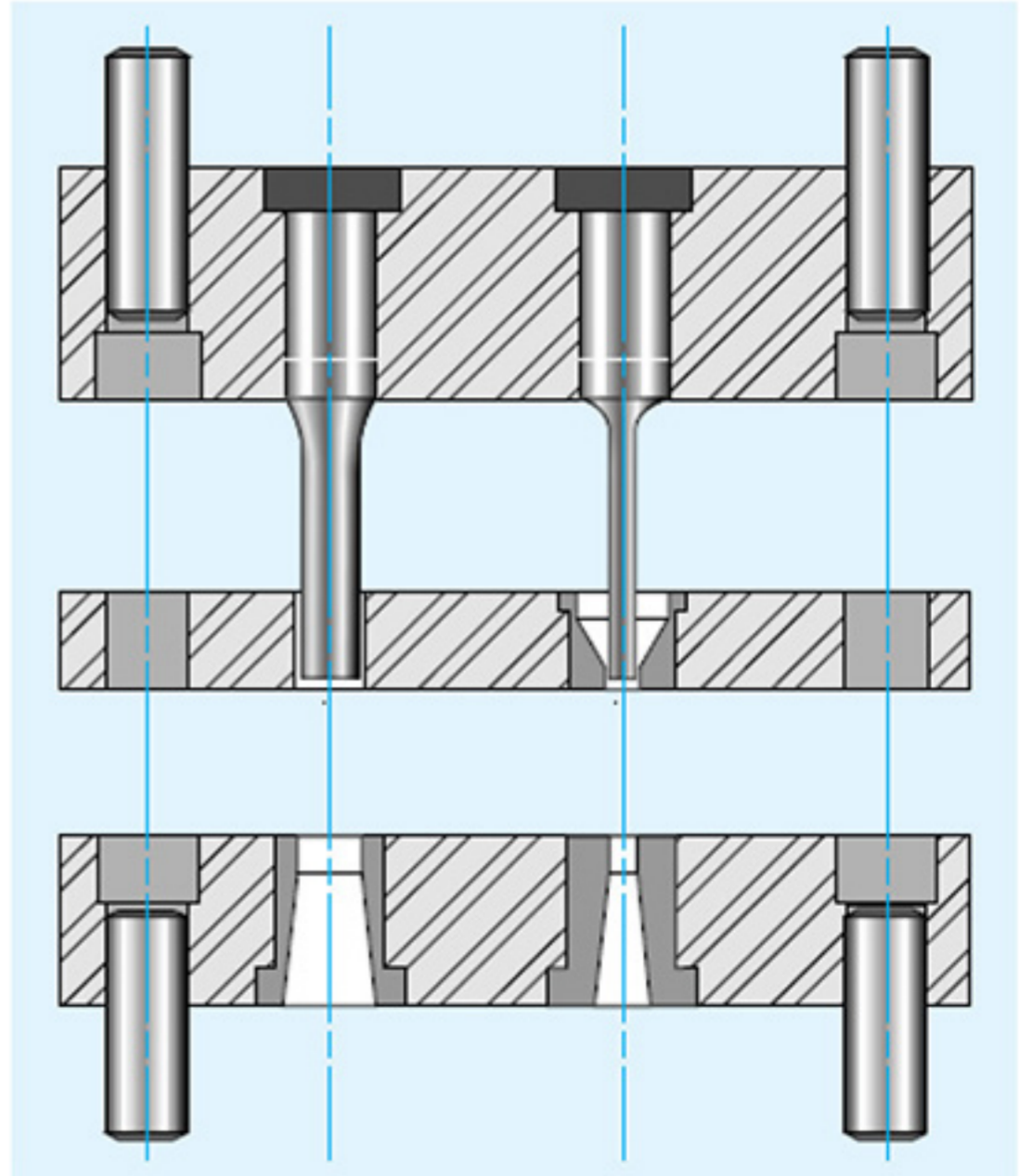
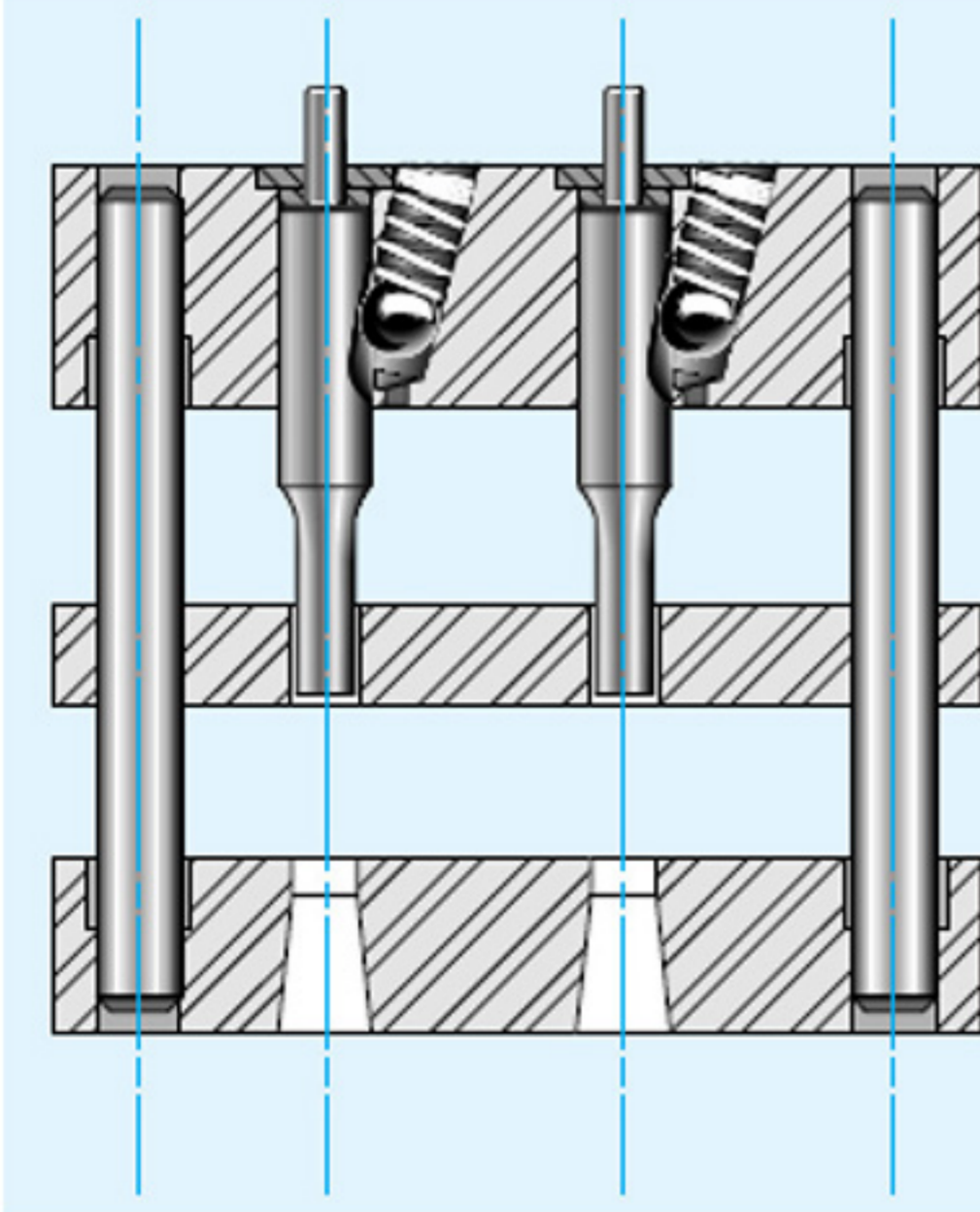
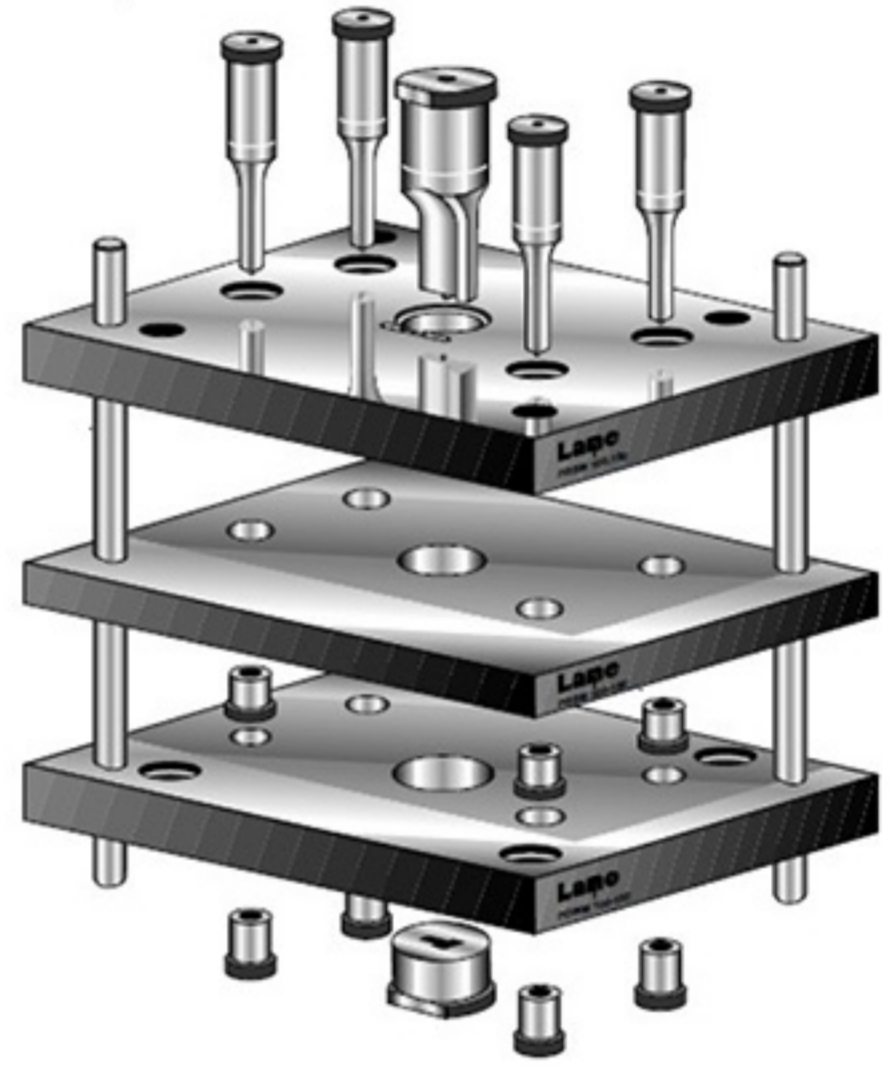
TOLERANSLAR	
YUVARLAK	FORMLU
+0.01	+0.01
-0.00	-0.01

ŞAPKALI HIZLI SET

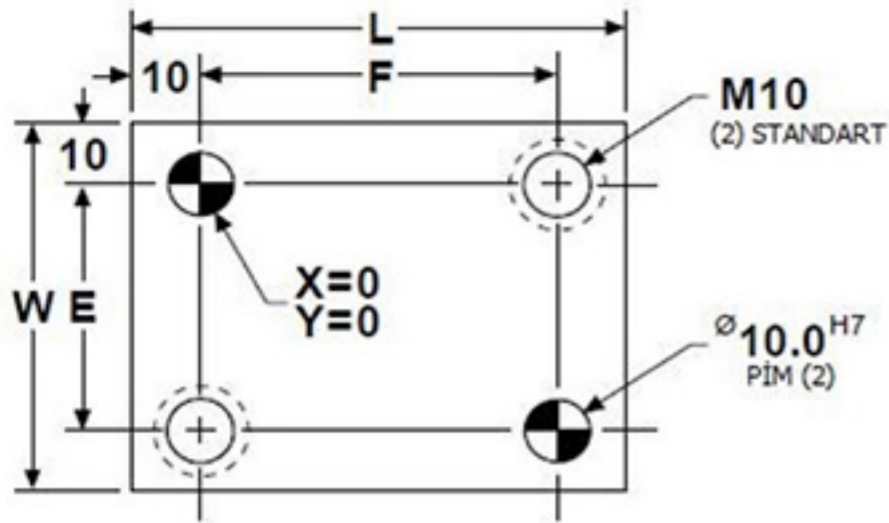
TOLERANSLAR	
YUVARLAK	FORMLU
+0.005	+0.005
-0.000	-0.000

SİSTEMDE KULLANILANLAR

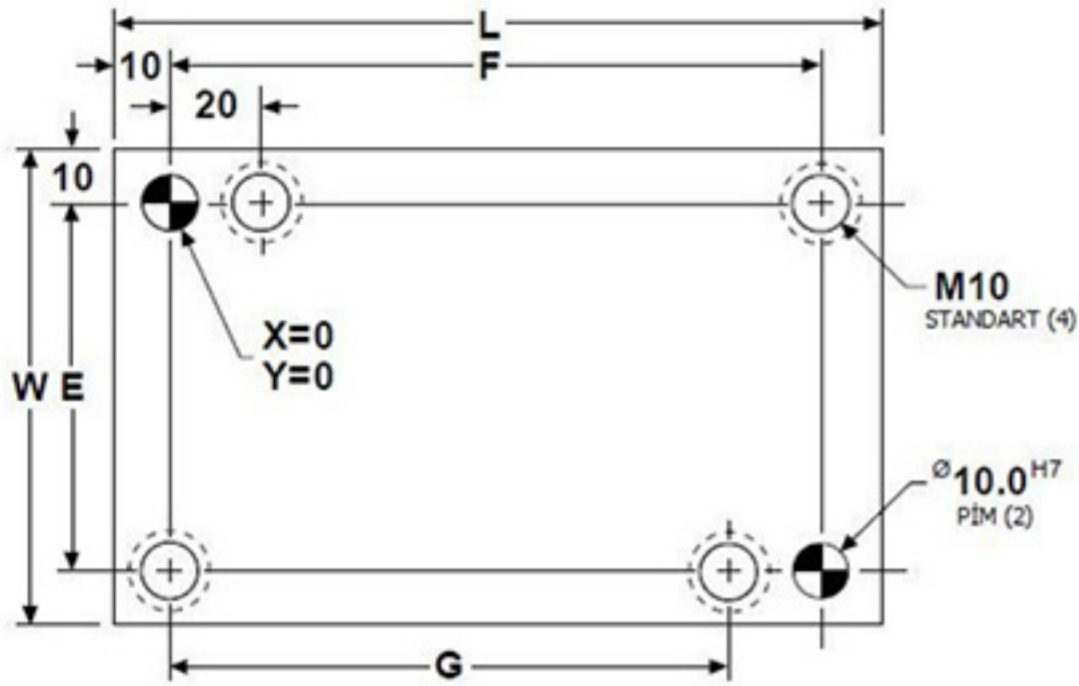
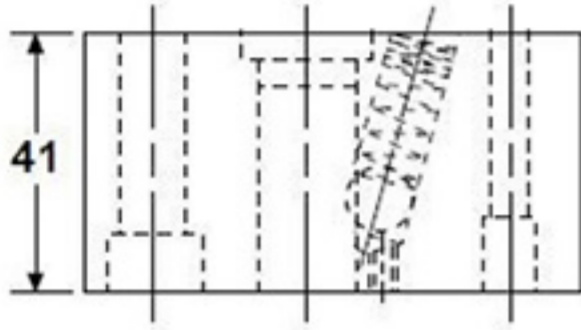
- Bilyalı tutucular
- Sıyırıcılar
- Yaylar
- Tel erozyon kesim plakalar, ya da tutuculu burçlar
- Manüel montaj imkanı
- 11 farklı boyut ve 5 farklı kalınlıkta plakalar
- CAD/CAM uygunluğu
- %100 değiştirilebilir ve yedeklenebilir elemanlar.



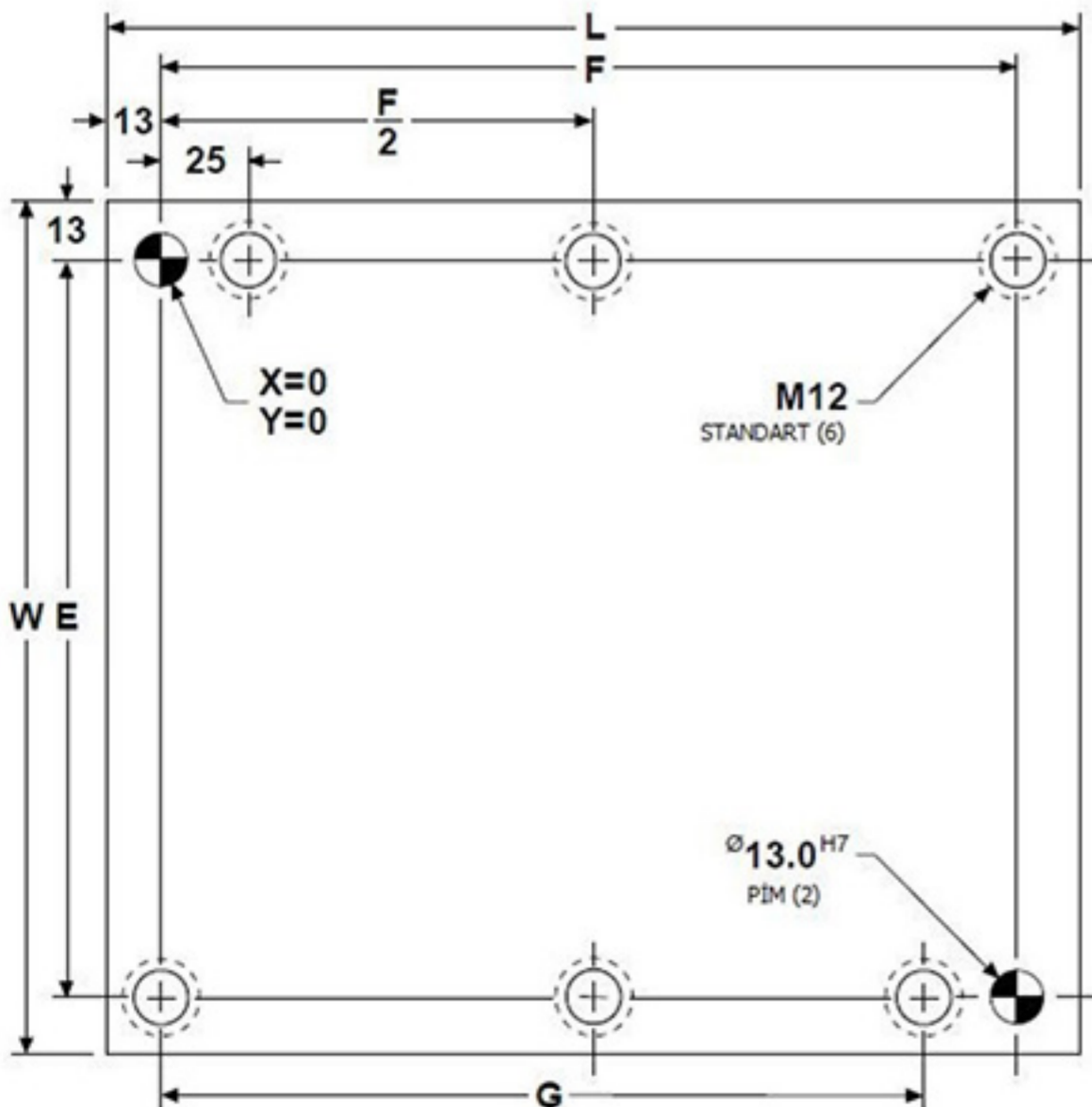
BRHM SERİSİ BİLYALI ÇOKLU ZIMBA TUTUCU PLAKA



KATALOG NO	W x L	E	F
BRHM 50-60	50 x 60	30	40
BRHM 60-80	60 x 80	40	60

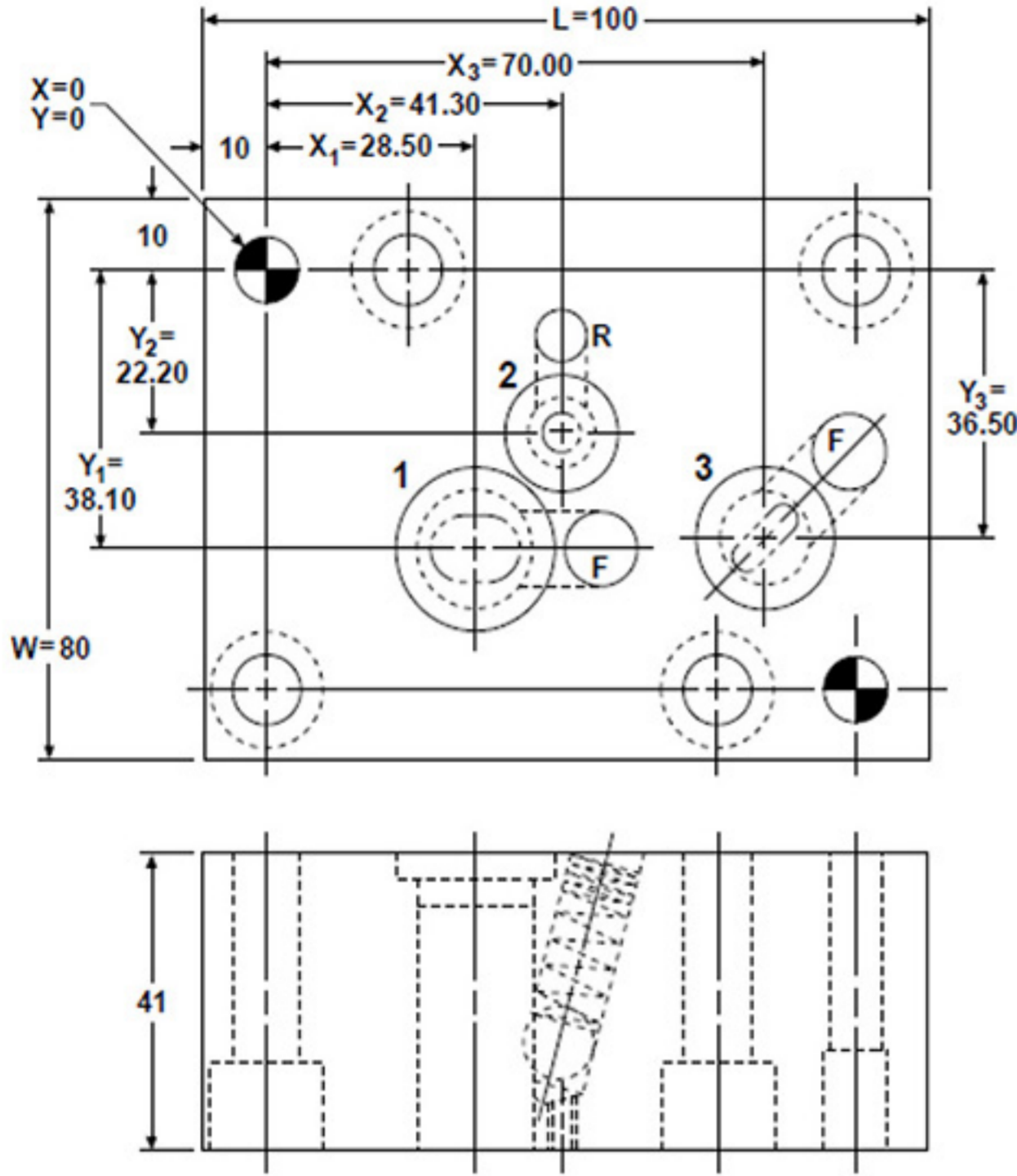


KATALOG NO	W x L	E	F	G
BRHM 60-100	60x100	40	80	60
BRHM 80-100	80x100	60	80	60
BRHM 80-125	80x125	60	105	85
BRHM 100-125	100x125	80	105	85
BRHM 100-150	100x150	80	130	110

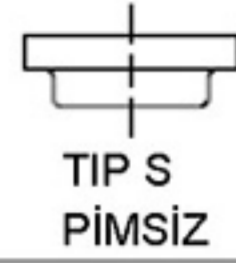
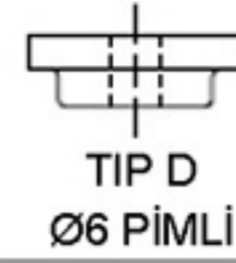


KATALOG NO	W x L	E	F	G
BRHM 150-200	150X200	124	174	149
BRHM 200-250	200X250	174	224	199
BRHM 250-300	250X300	224	274	249

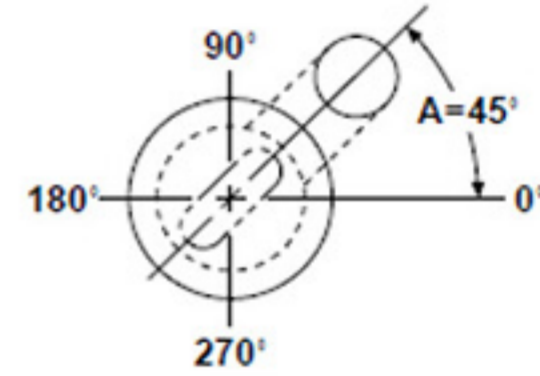
BRHM SERİSİ BİLYALI ÇOKLU ZIMBA TUTUCU



ARKA DAYAMA TIPLERİ



BİLYA AÇISI



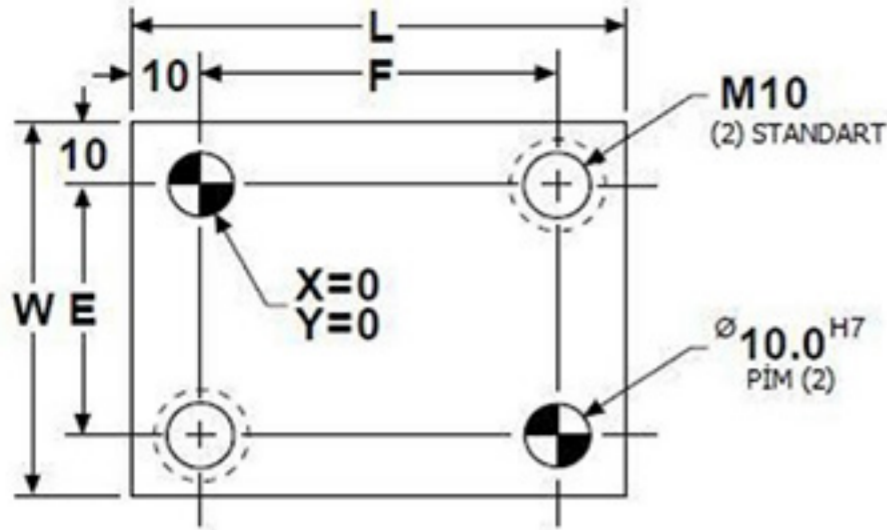
TOLERANSLAR

LOKASYON (Lineer)	Pimler	±0.01
	Zımba Delikleri	±0.01
	Vida Delikleri	±0.2
	W & L	±0.5
BİLYA DELİĞİ (Radyal)	Tip R (Yuvarlak)	±5°
	Tip F (Formlu)	±0°3'

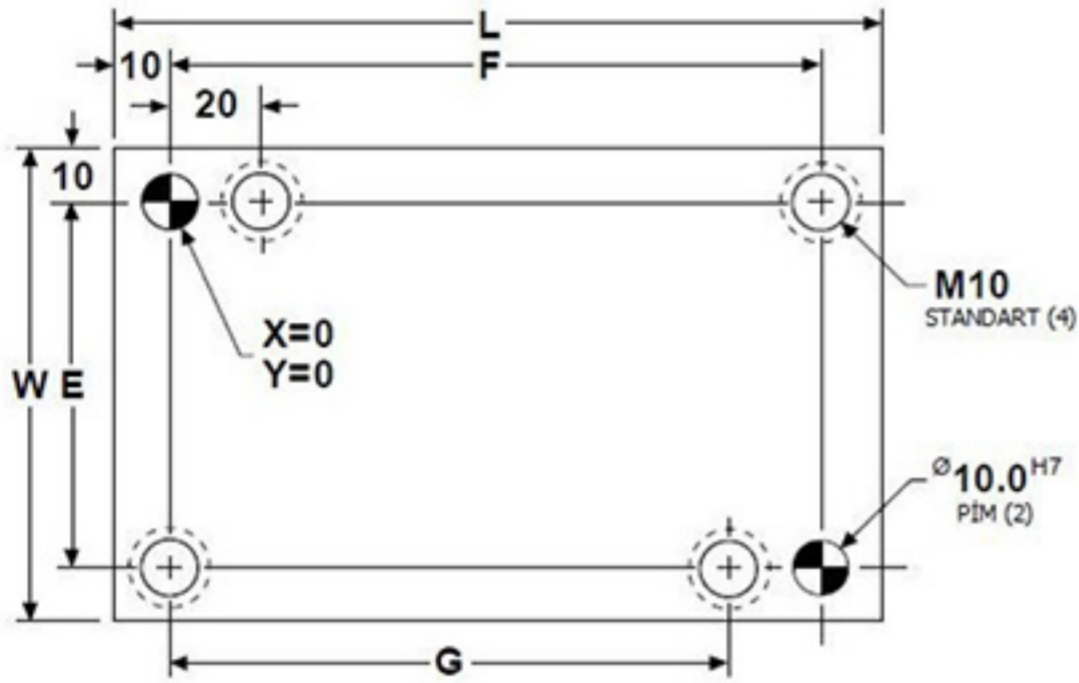
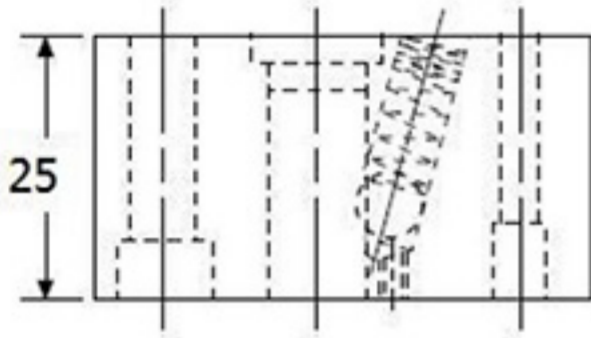
SİPARİŞ ÖRNEĞİ

ADET	KATALOG NO	W x L	DELİK NO	ZIMBA	LOKASYON		BİLYA DELİĞİ		DAYAMA TİPİ
					X	Y	A	TİP	
1	BRHM 80-100	80 x 100	1	BPLO 16	28.50	38.10	0°	F	S
			2	BPRL 10	41.30	22.20	90°	R	S
			3	BPLO 13	70.00	36.50	45°	F	S

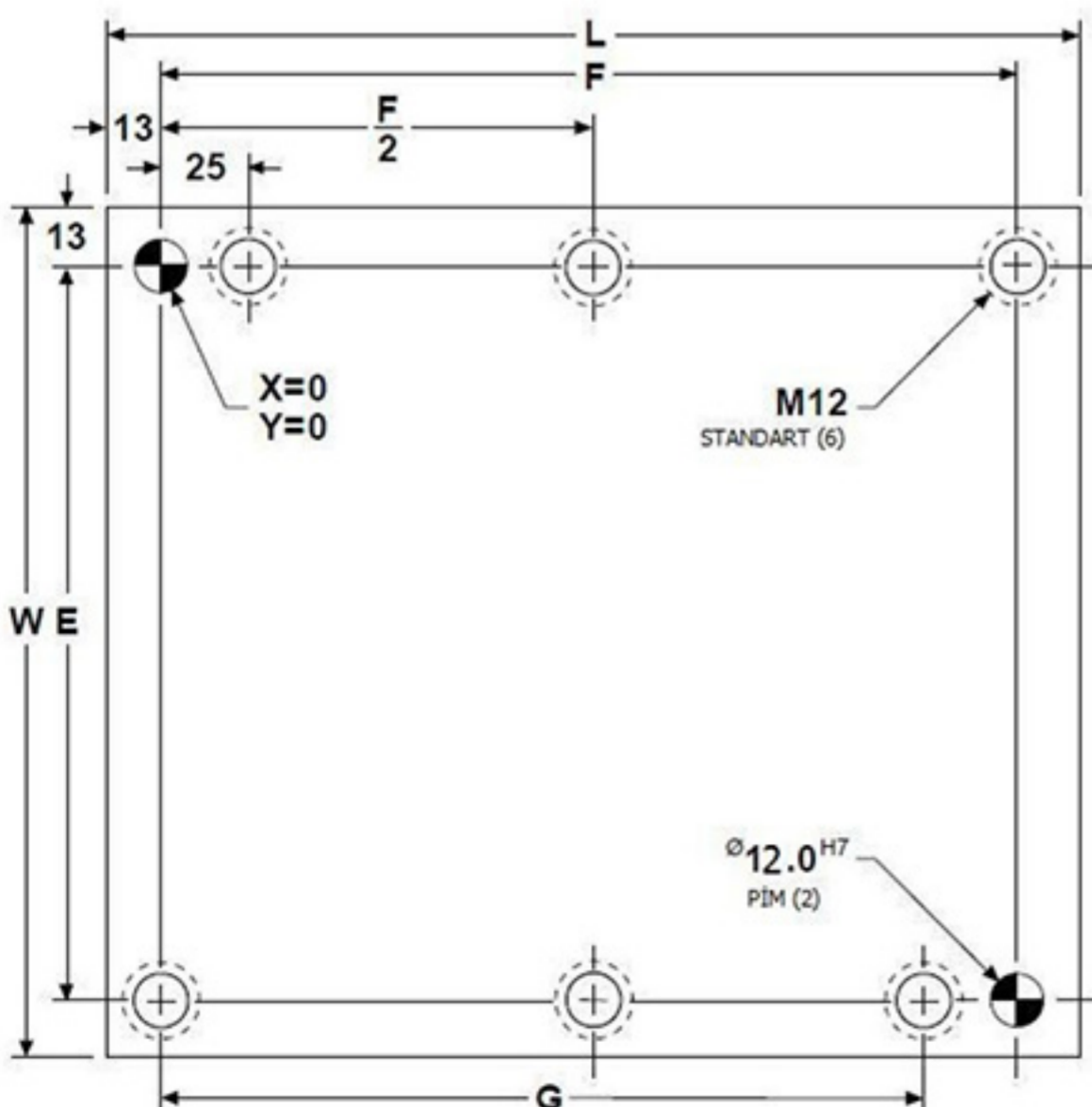
PRSM SERİSİ ŞAPKALI ÇOKLU ZIMBA TUTUCU PLAKA



KATALOG NO	W x L	E	F
PRSM 50-60	50 x 60	30	40
PRSM 60-80	60 x 80	40	60

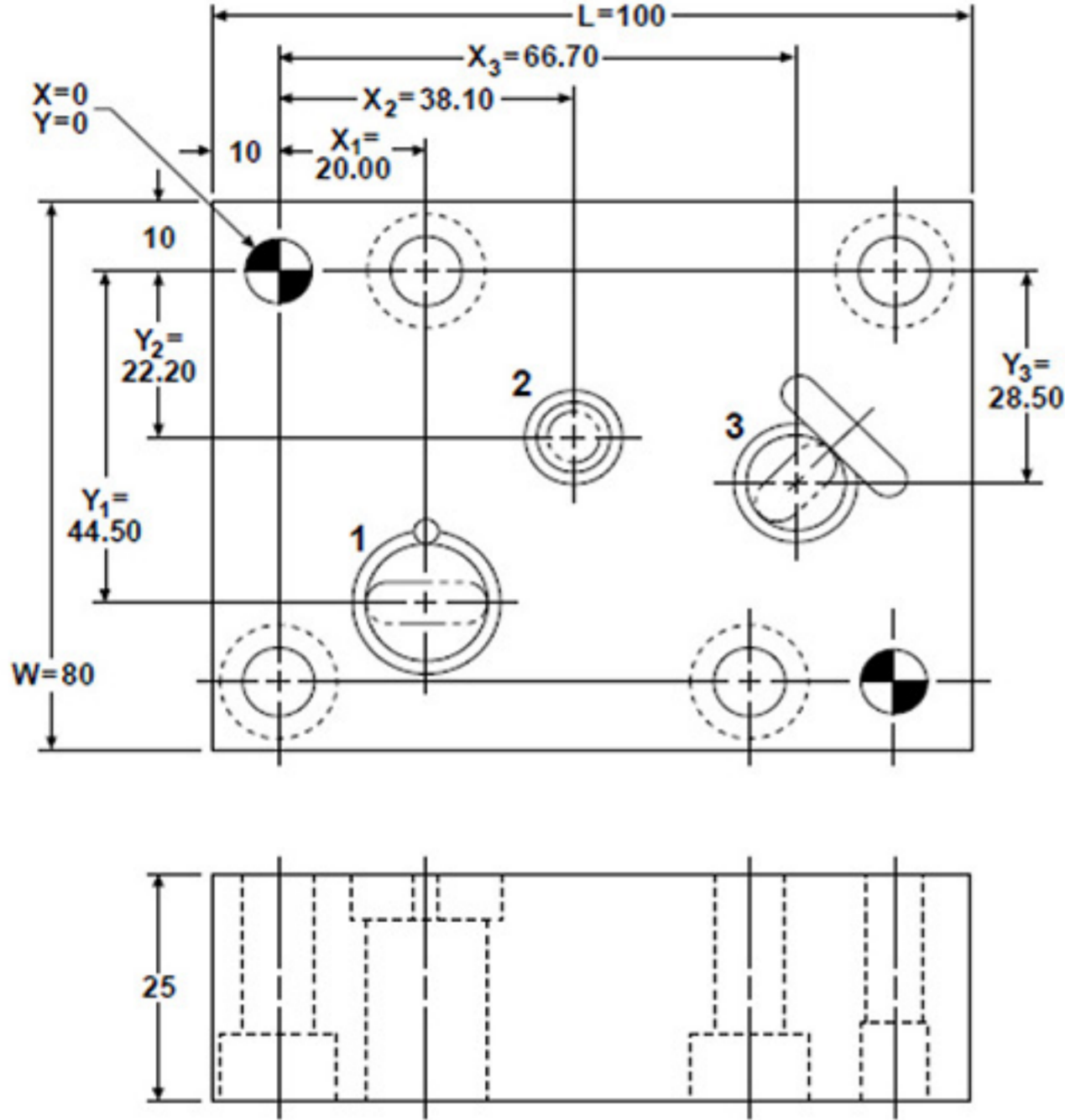


KATALOG NO	W x L	E	F	G
PRSM 60-100	60x100	40	80	60
PRSM 80-100	80x100	60	80	60
PRSM 80-125	80x125	60	105	85
PRSM 100-125	100x125	80	105	85
PRSM 100-150	100x150	80	130	110



KATALOG NO	W x L	E	F	G
PRSM 150-200	150X200	124	174	149
PRSM 200-250	200X250	174	224	199
PRSM 250-300	250X300	224	274	249

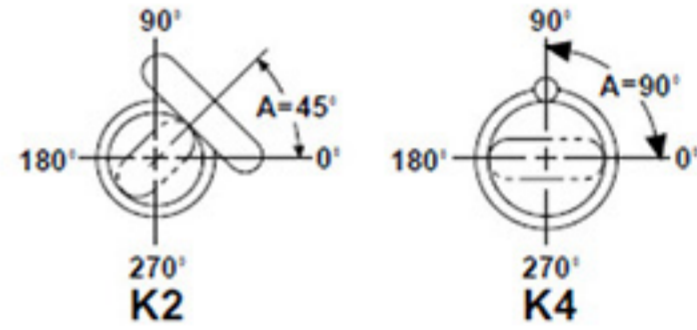
PRSM SERİSİ ŞAPKALI ÇOKLU ZIMBA TUTUCU PLAKA



TOLERANSLAR

LOKASYON (Lineer)	Pimler	±0.01
	Zimba Delikleri	±0.01
	Vida Delikleri	±0.2
	W & L	±0.5
DELİK (Radyal)	Konumlama	±0°3'

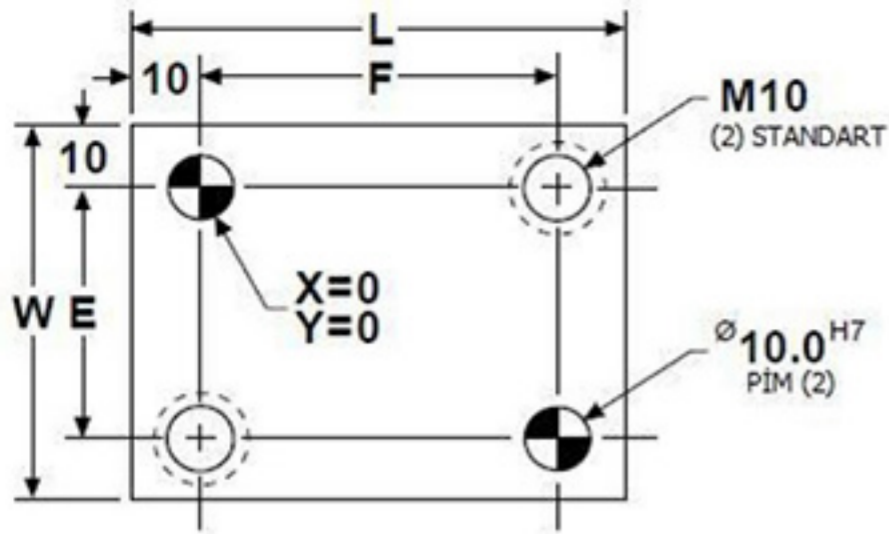
KONUMLAMA AÇISI



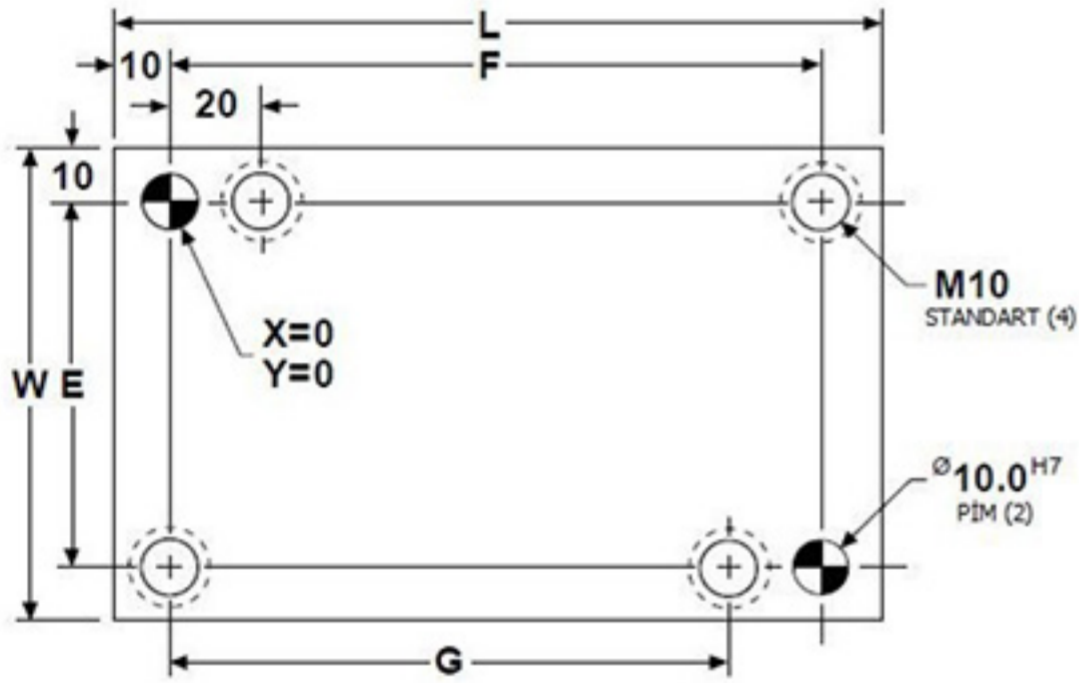
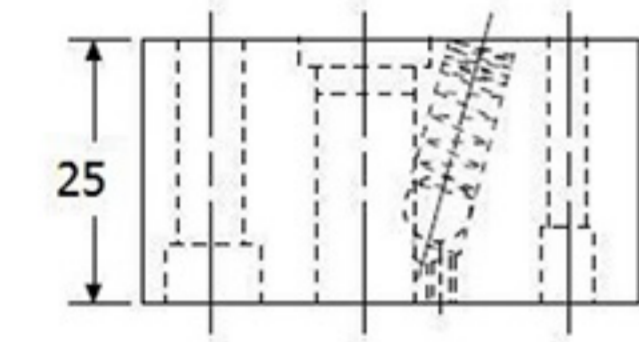
SİPARİŞ ÖRNEĞİ

ADET	KATALOG NO	W x L	DELİK NO	ZIMBA / FORM	LOKASYON		KONUM		BASKI PLAKASI
					X	Y	TİP	A	
1	PRSM 80-100	80 x 100	1	PPSO 16 / SLOT	20,00	44,50	K4	90°	EVET
			2	PPSR 10 / YUV.	38,10	22,20	-	-	
			3	PPSO 13 / SLOT	66,70	28,50	K2	45°	

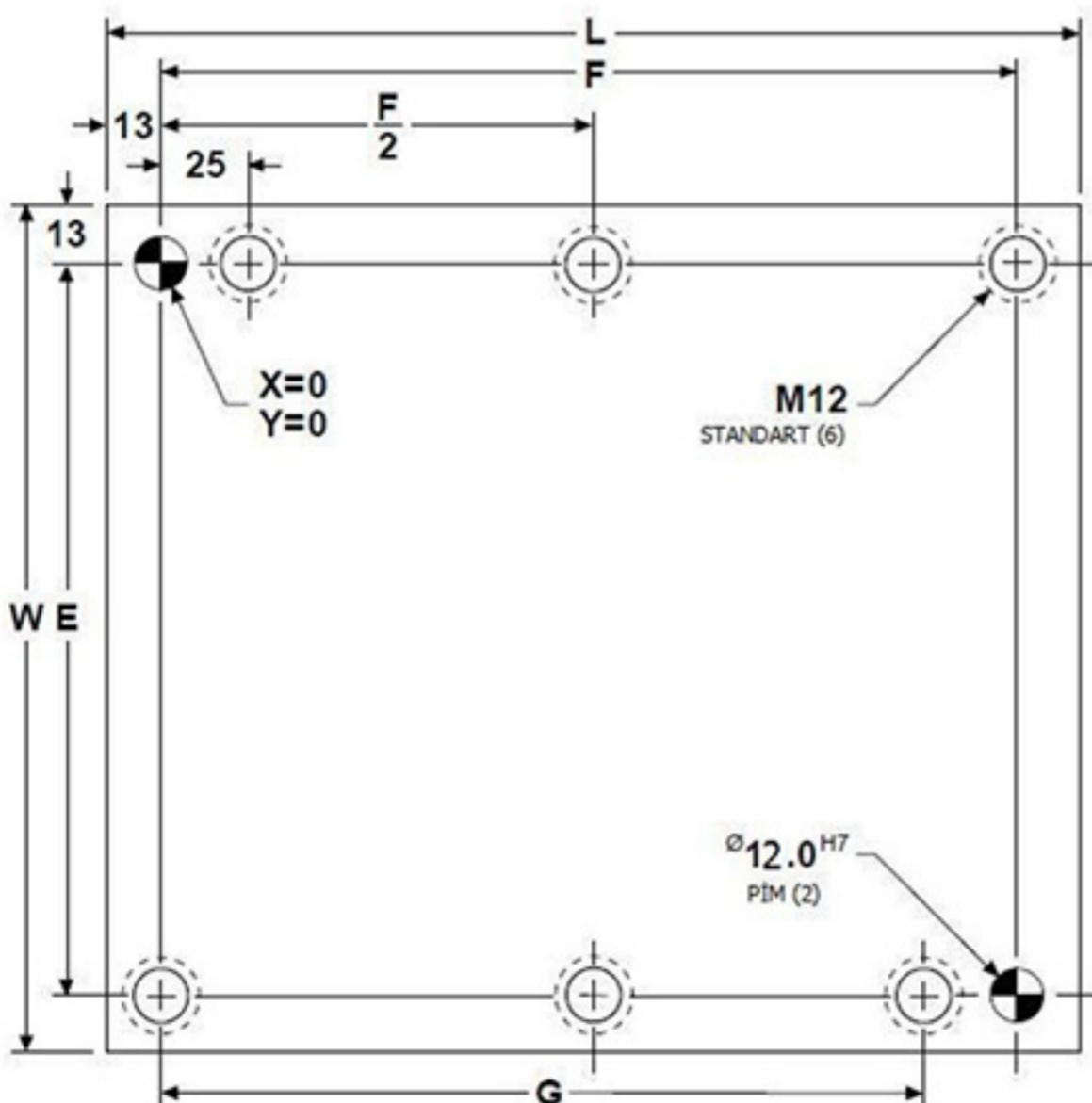
PRPM SERİSİ SIKI GEÇME ÇOKLU BURÇ TUTUCU PLAKA



KATALOG NO	W x L	E	F
PRPM 50-60	50 x 60	30	40
PRPM 60-80	60 x 80	40	60

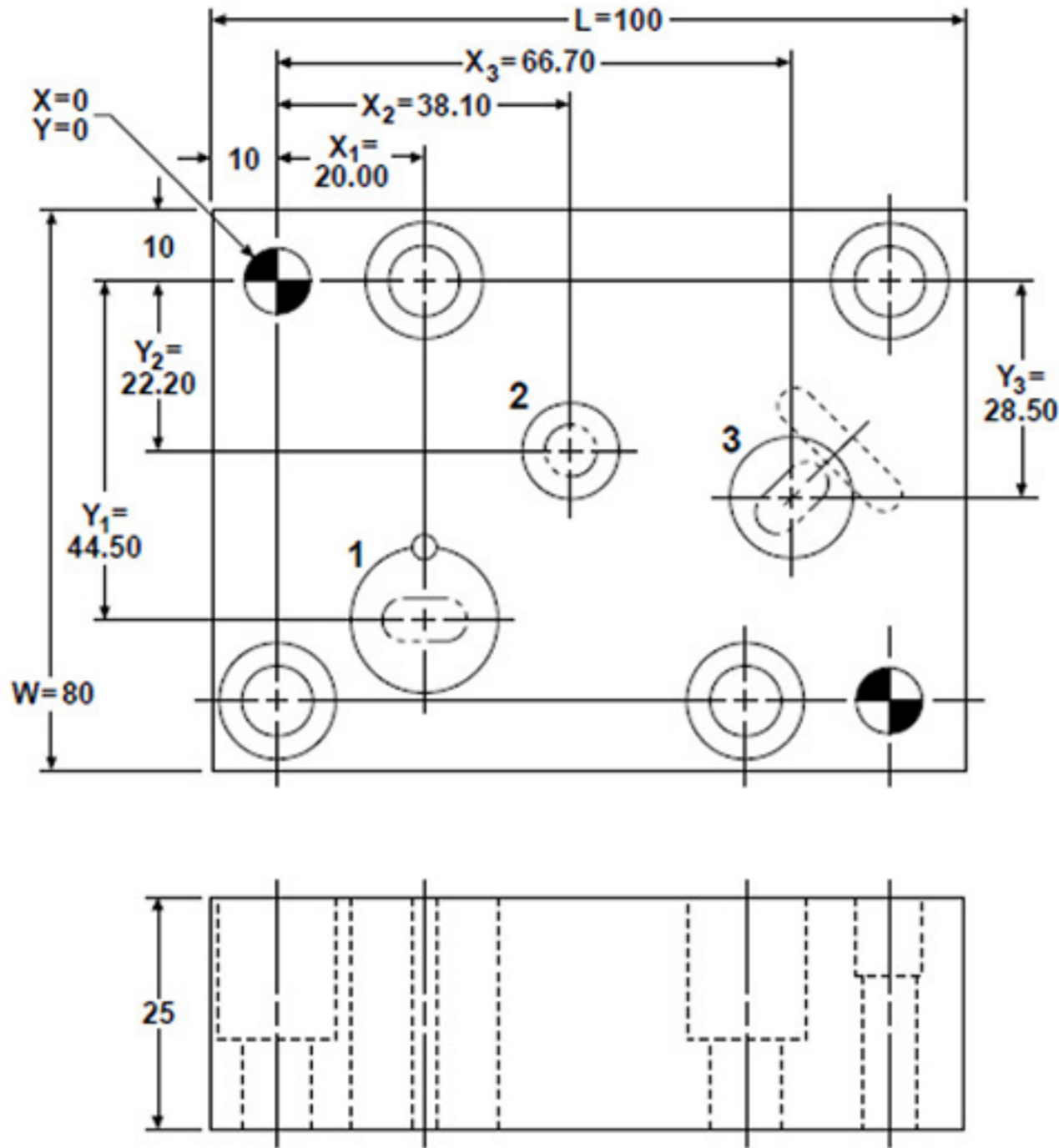


KATALOG NO	W x L	E	F	G
PRPM 60-100	60x100	40	80	60
PRPM 80-100	80x100	60	80	60
PRPM 80-125	80x125	60	105	85
PRPM 100-125	100x125	80	105	85
PRPM 100-150	100x150	80	130	110



KATALOG NO	W x L	E	F	G
PRPM 150-200	150X200	124	174	149
PRPM 200-250	200X250	174	224	199
PRPM 250-300	250X300	224	274	249

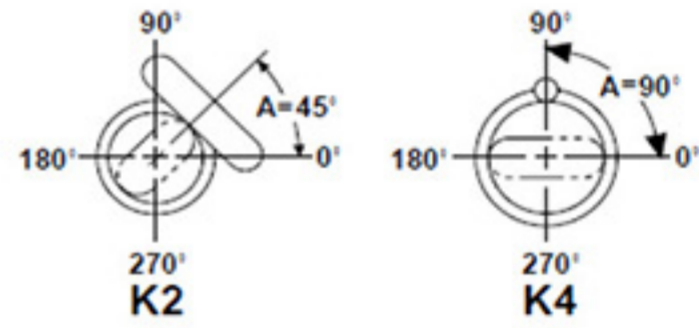
PRPM SERİSİ SIKI GEÇME ÇOKLU BURÇ TUTUCU



TOLERANSLAR

LOKASYON (Lineer)	Pimler	±0.01
	Zimba Delikleri	±0.01
	Vida Delikleri	±0.2
	W & L	±0.5
DELİK (Radyal)	Konumlama	±0°3'

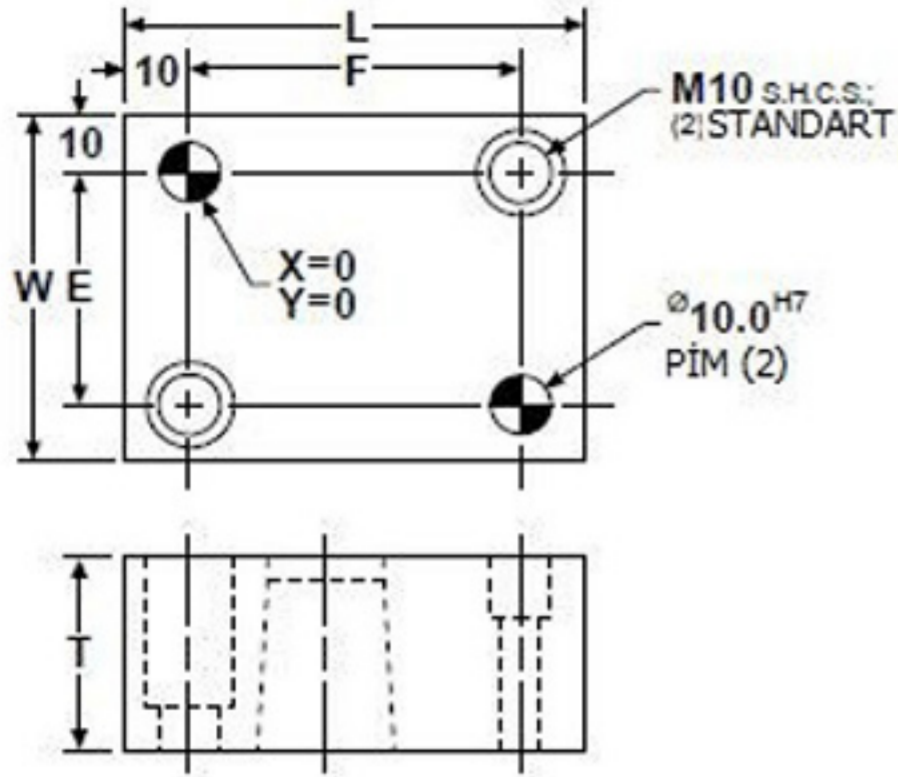
KONUMLAMA AÇISI



SİPARİŞ ÖRNEĞİ

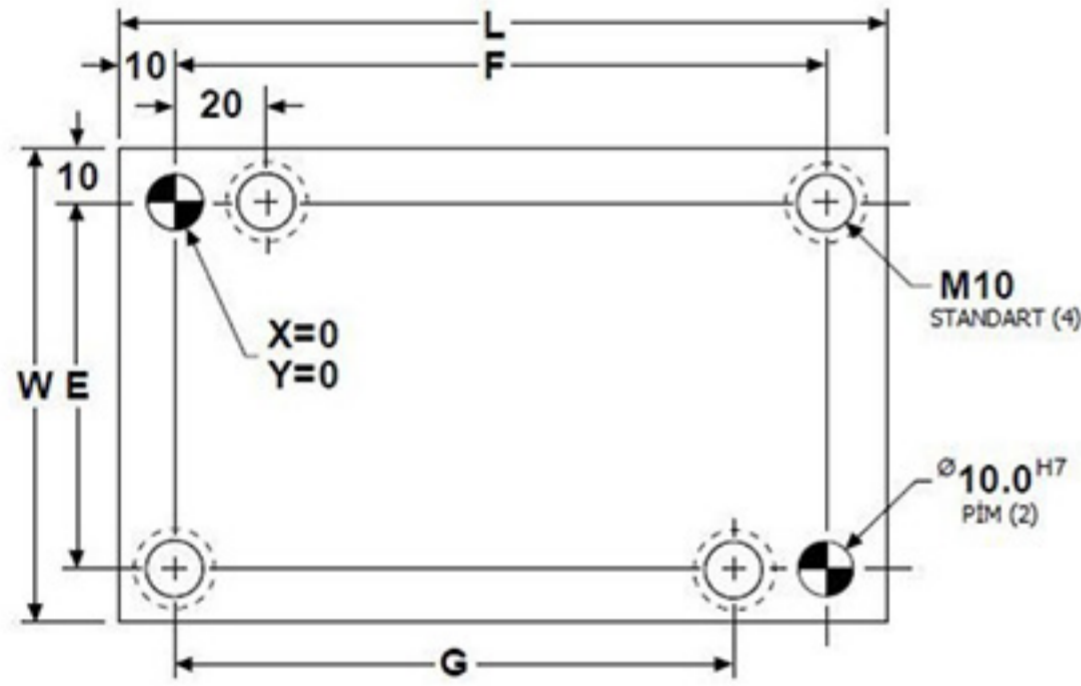
ADET	KATALOG NO	W x L	DELİK NO	ZIMBA / FORM	LOKASYON		KONUM		BASKI PLAKASI
					X	Y	TİP	A	
1	PRPM 80-100	80 x 100	1	PBPO 16 / SLOT	20,00	44,50	K4	90°	EYET
			2	PBPR 10 / YUV.	38,10	22,20	-	-	
			3	PBPO 13 / SLOT	66,70	28,50	K2	45°	

PDWM SERİSİ TEL EROZYON KESİM ÇOKLU BURÇÇ PLAKASI

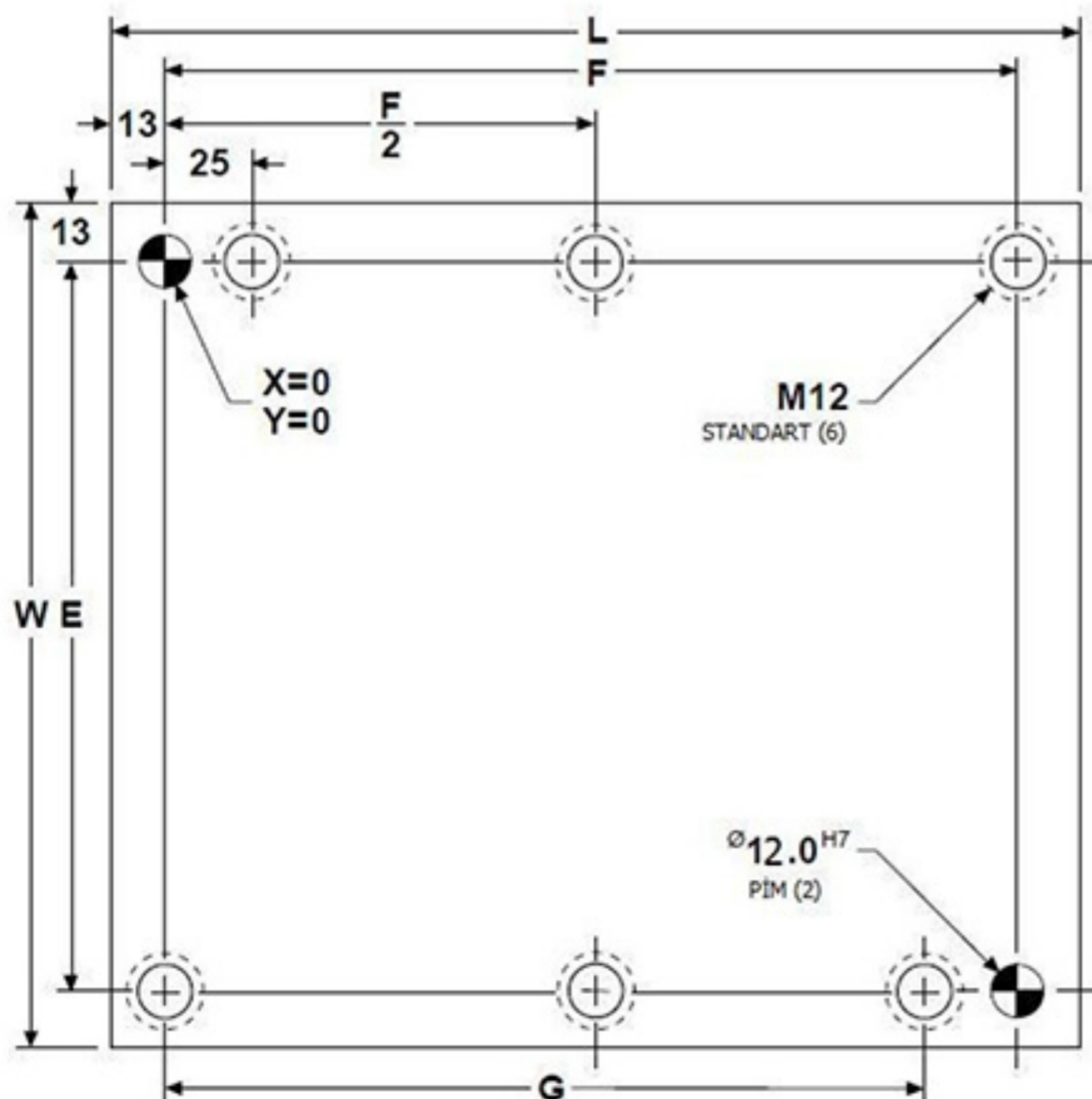


KATALOG NO	W x L	E	F
PDWM 50-60	50 x 60	30	40
PDWM 60-80	60 x 80	40	60

KALINLIKLAR (T)
25
28
30
32
35
40

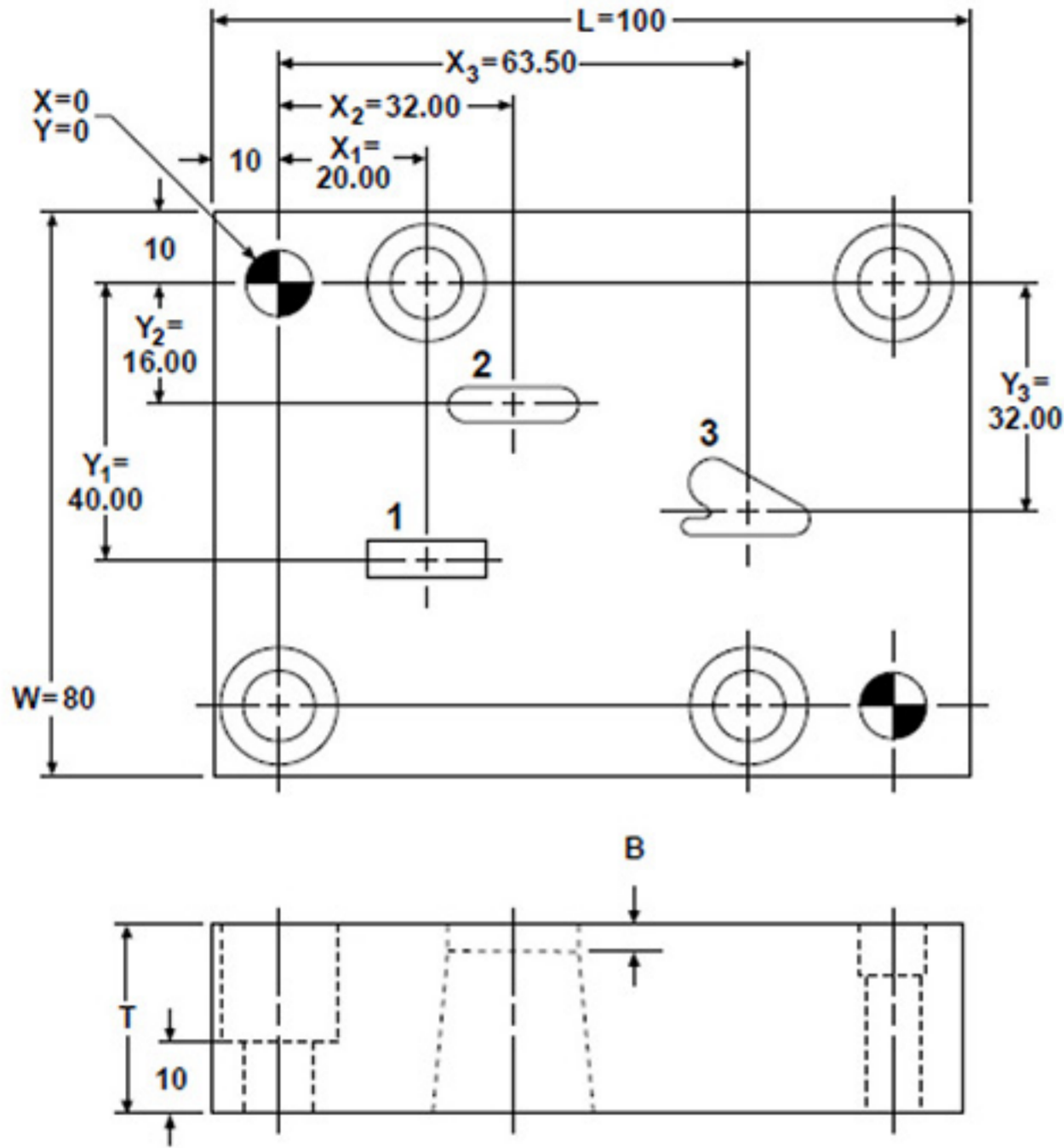


KATALOG NO	W x L	E	F	G
PDWM 60-100	60x100	40	80	60
PDWM 80-100	80x100	60	80	60
PDWM 80-125	80x125	60	105	85
PDWM 100-125	100x125	80	105	85
PDWM 100-150	100x150	80	130	110



KATALOG NO	W x L	E	F	G
PDWM 150-200	150X200	124	174	149
PDWM 200-250	200X250	174	224	199
PDWM 250-300	250X300	224	274	249

PDWM SERİSİ TEL EROZYON KESİM ÇOKLU BURÇ PLAKASI



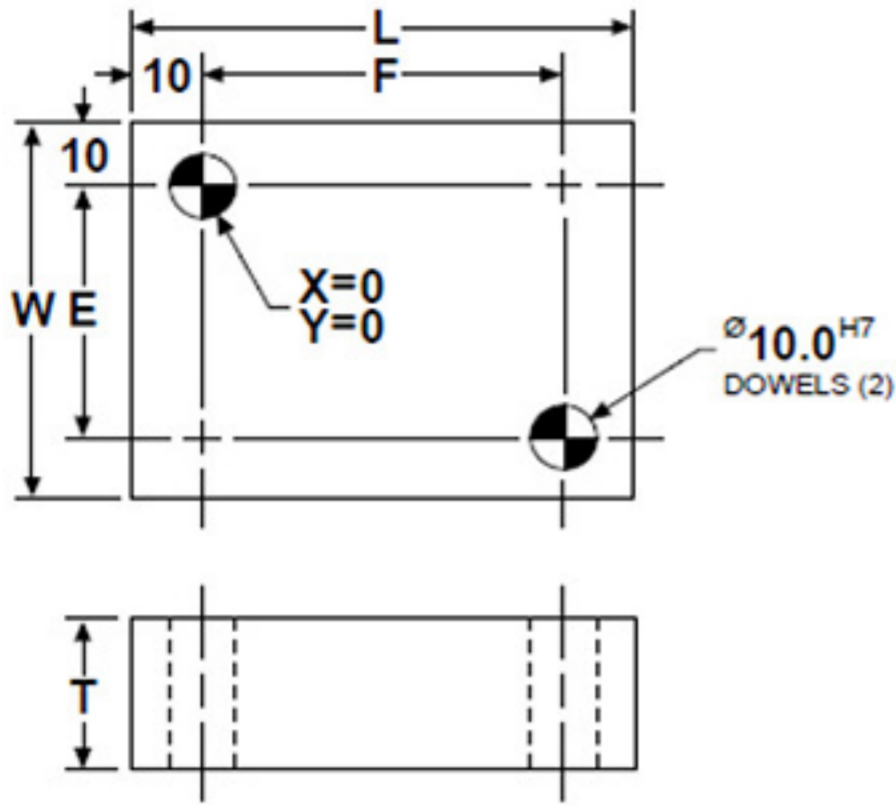
TOLERANSLAR

LOKASYON	Pimler	±0.01
(Lineer)	Zımba Delikleri	±0.01
	Vida Delikleri	±0.2
	W & L	±0.5
BOYUT	P & W	+0.013
		-0.000

SİPARİŞ ÖRNEĞİ

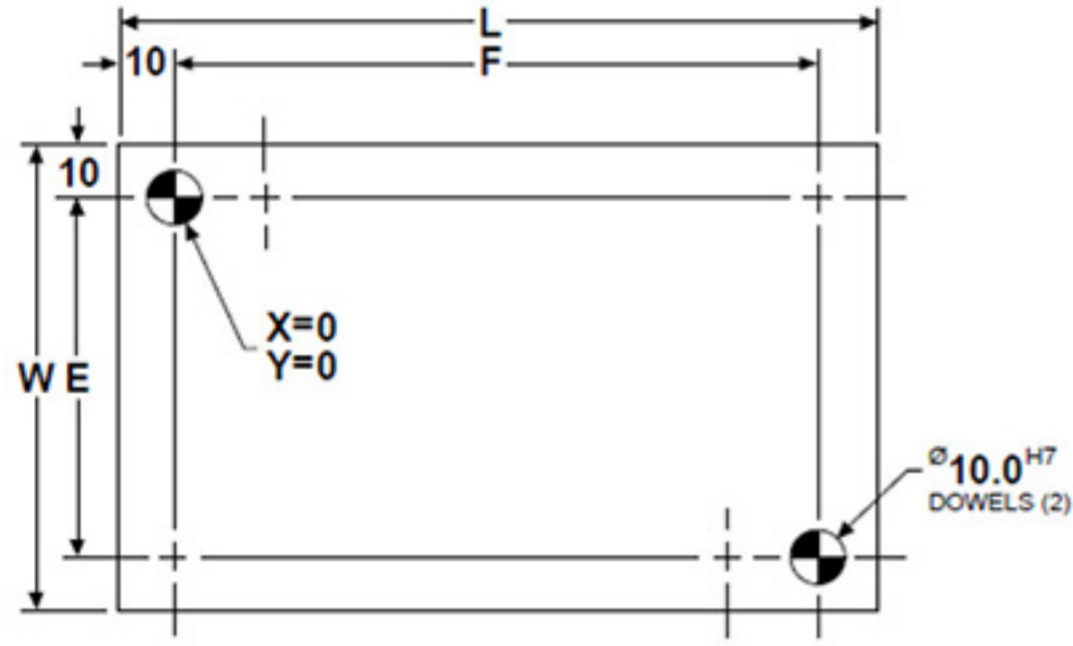
ADET	KATALOG NO	W x L	T	DELİK NO	KESİLECEK ŞEKİL	BOYUTLAR		KONUM	
						P	W	X	Y
1	PDWM 80-100	80 x 100	28	1	DİKDÖRTGEN	16,10	5,10	20,00	44,50
				2	YUVARLAK	17,40	5,10	38,10	22,20
				3	ÖZEL	ÇİZİM		66,70	28,50

PSWM SERİSİ TEL EROZYON KESİM ÇOKLU SIYIRICI PLAKA

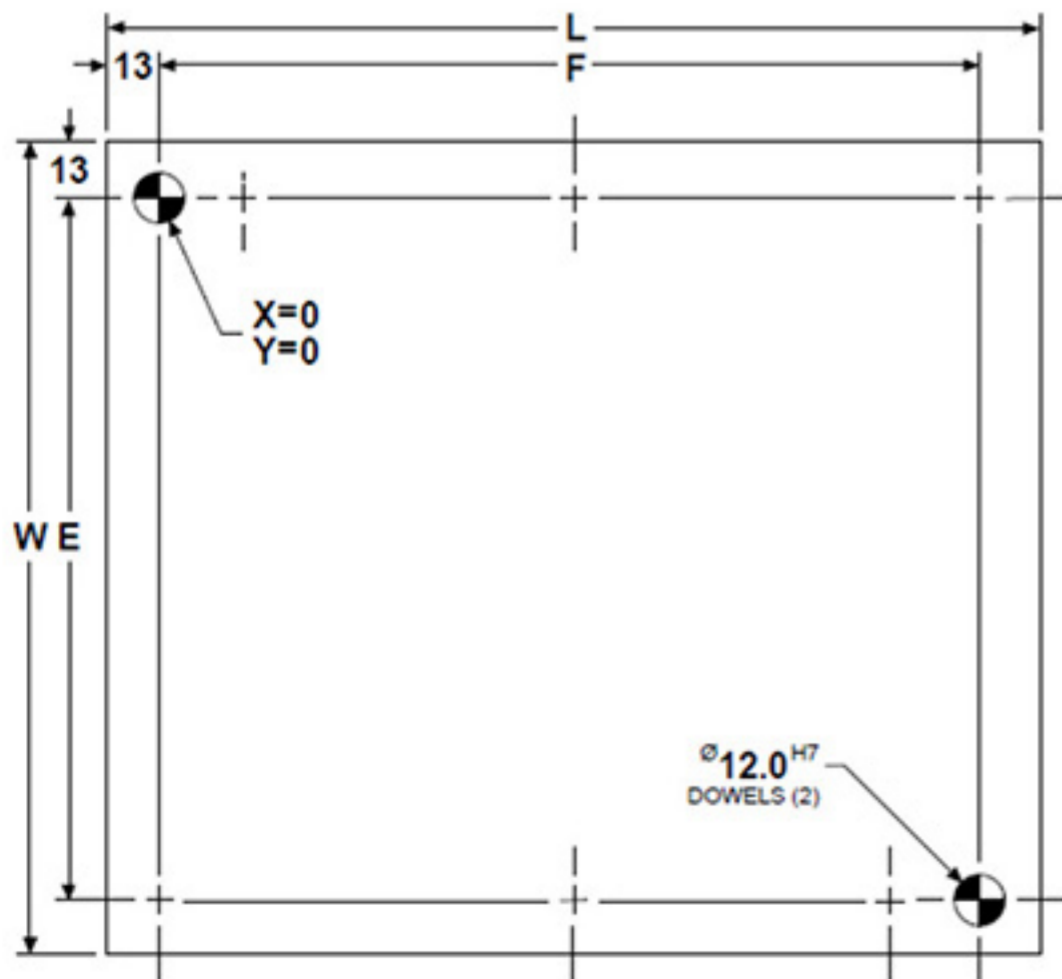


KATALOG NO	W x L	E	F
PSWM 50-60	50 x 60	30	40
PSWM 60-80	60 x 80	40	60

KALINLIKLAR (T)
10
13
16
20

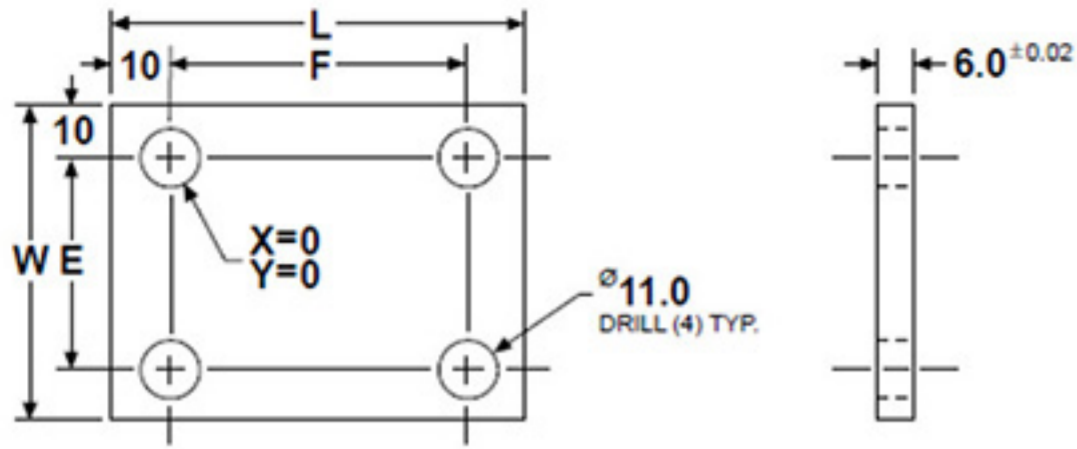


KATALOG NO	W x L	E	F
PSWM 60-100	60x100	40	80
PSWM 80-100	80x100	60	80
PSWM 80-125	80x125	60	105
PSWM 100-125	100x125	80	105
PSWM 100-150	100x150	80	130

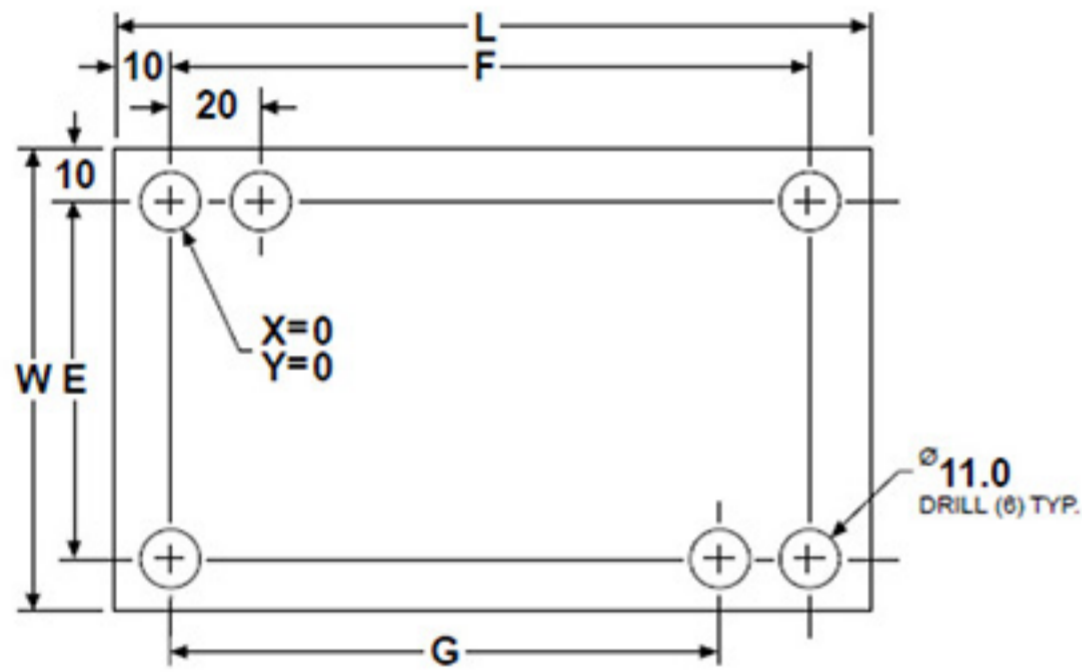


KATALOG NO	W x L	E	F
PSWM 150-200	150X200	124	174
PSWM 200-250	200X250	174	224
PSWM 250-300	250X300	224	274

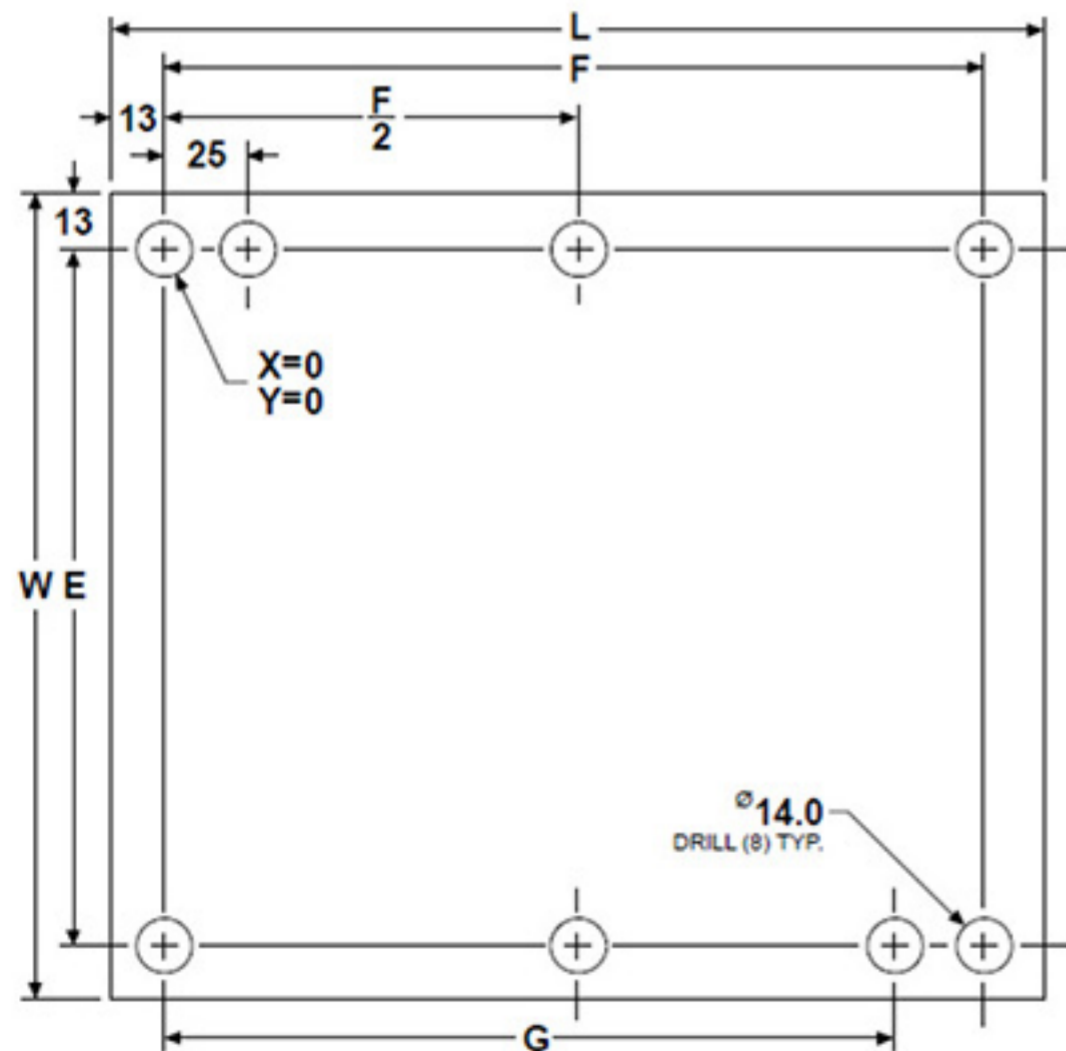
PBP SERİSİ BASKI PLAKALARI



KATALOG NO	W x L	E	F
PBP 50-60	50 x 60	30	40
PBP 60-80	60 x 80	40	60



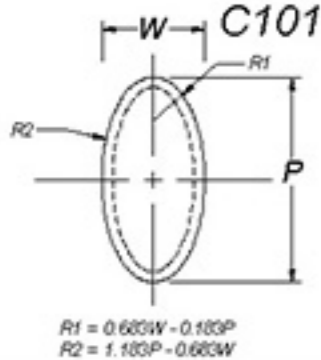
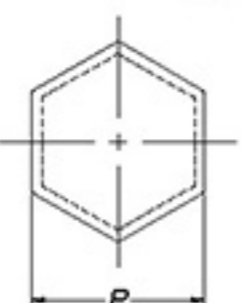
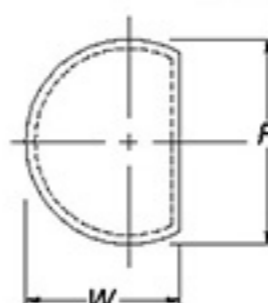
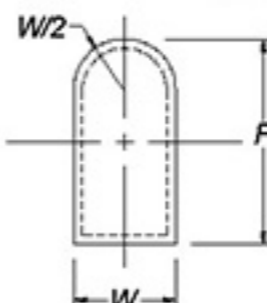
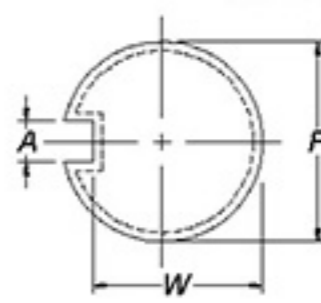
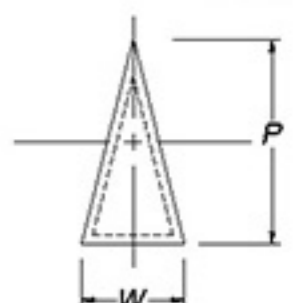
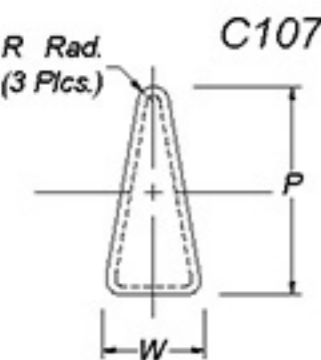
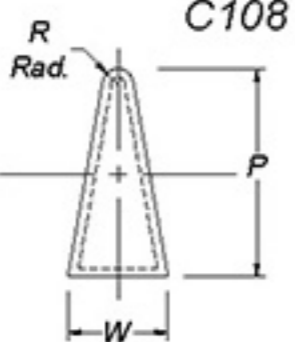
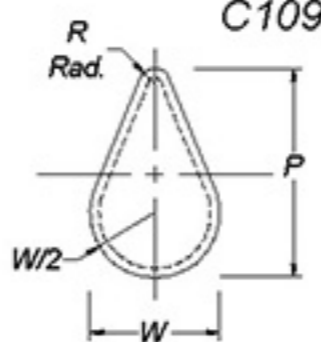
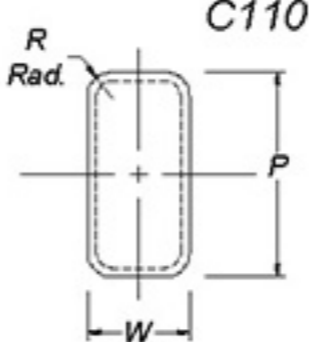
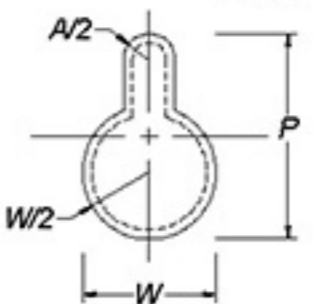
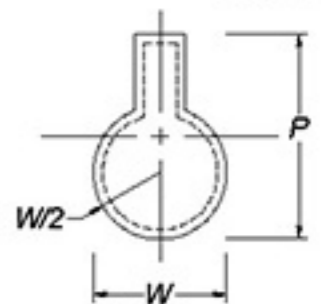
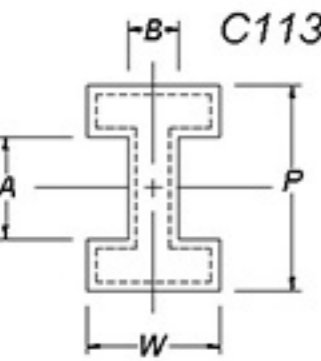
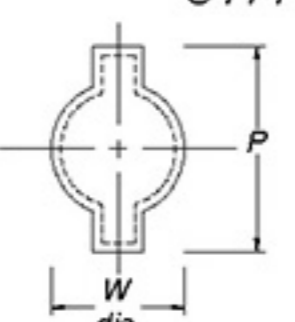
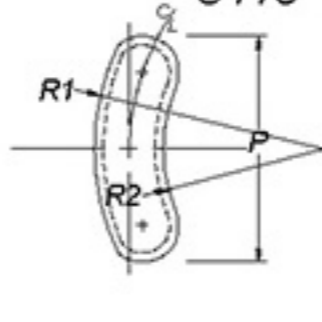
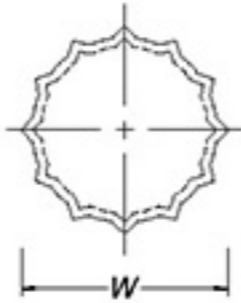
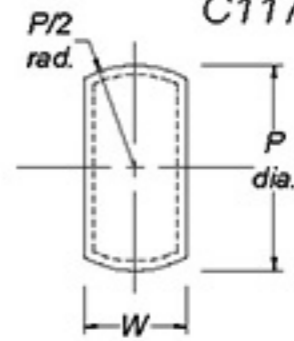
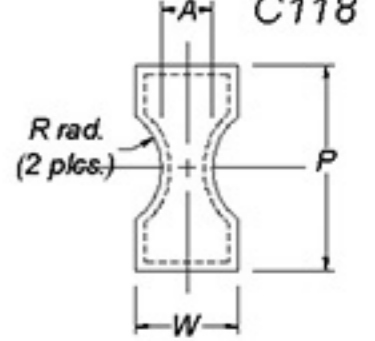
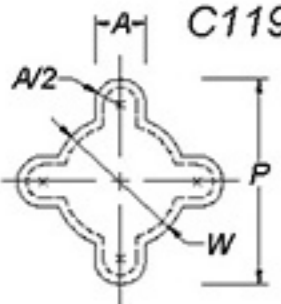
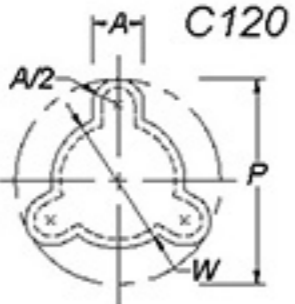
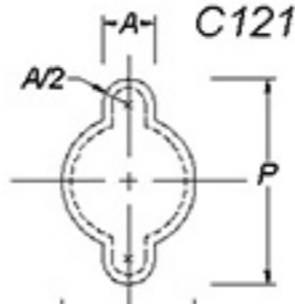
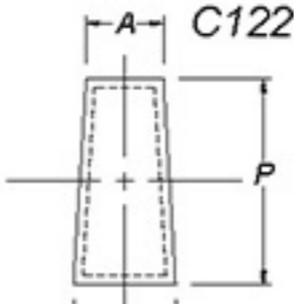
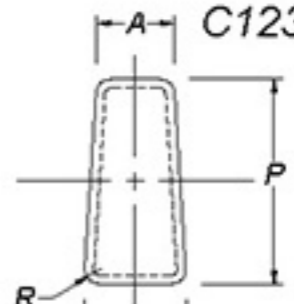
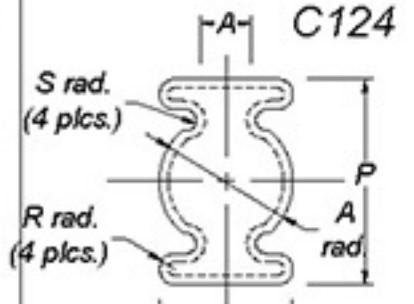
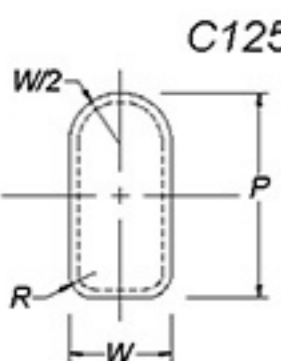
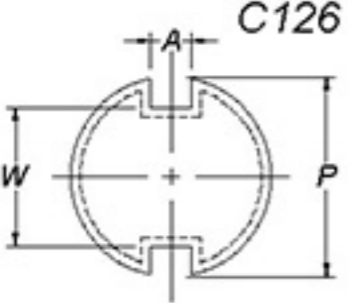
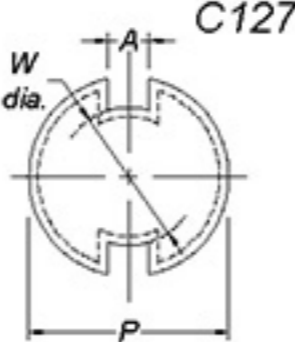
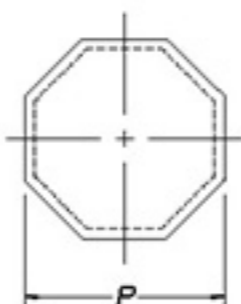
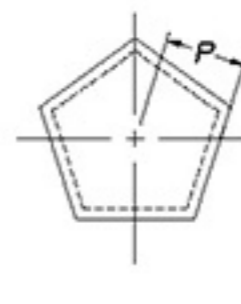
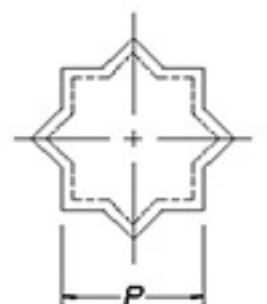
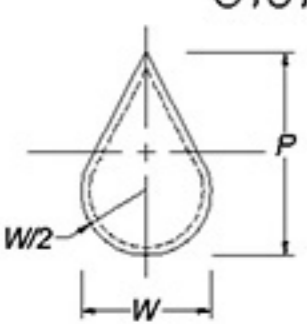
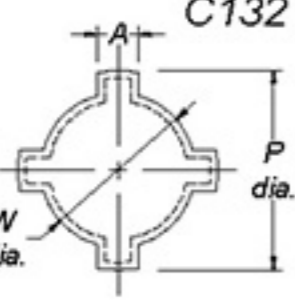
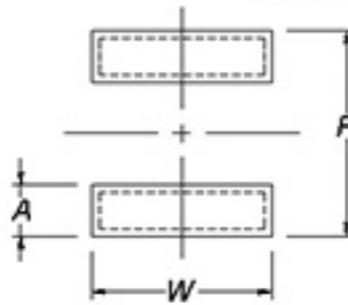
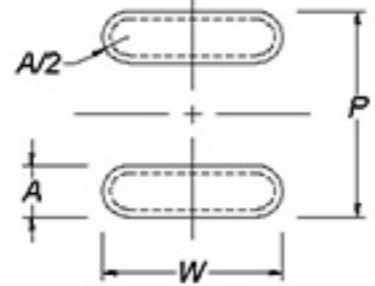
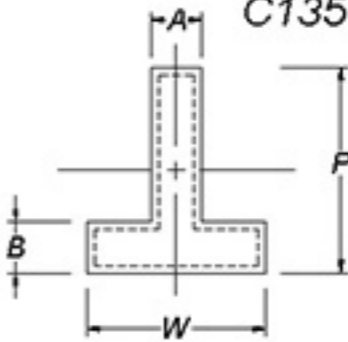
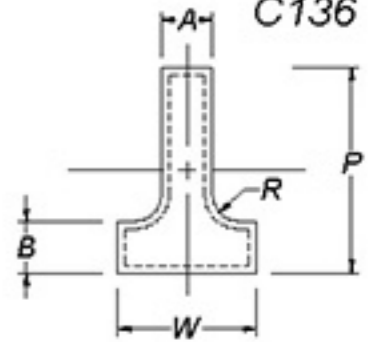
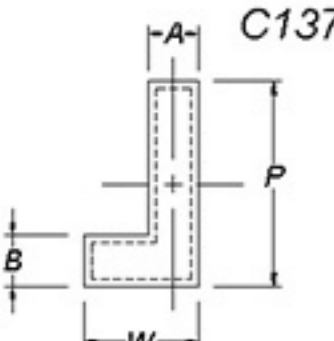
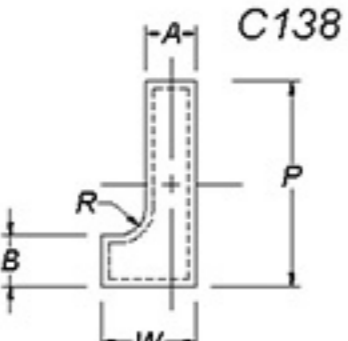
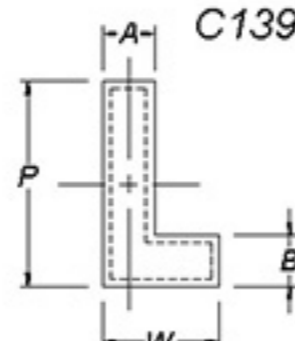
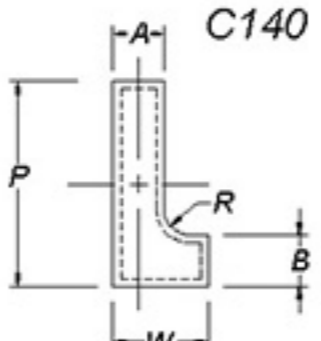
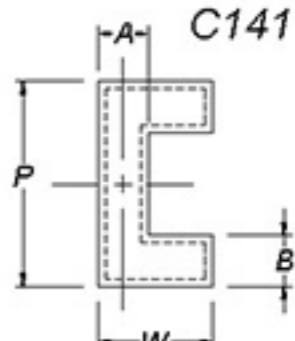
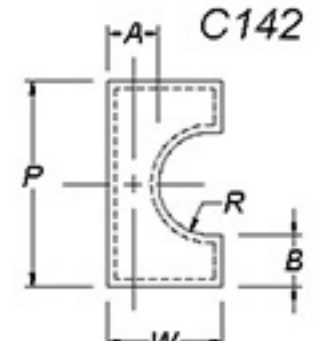
KATALOG NO	W x L	E	F	G
PBP 60-100	60x100	40	80	60
PBP 80-100	80x100	60	80	60
PBP 80-125	80x125	60	105	85
PBP 100-125	100x125	80	105	85
PBP 100-150	100x150	80	130	110



KATALOG NO	W x L	E	F	G
PBP 150-200	150X200	124	174	149
PBP 200-250	200X250	174	224	199
PBP 250-300	250X300	224	274	249

ÖZEL FORMLAR

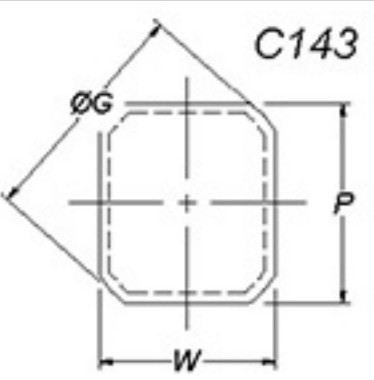
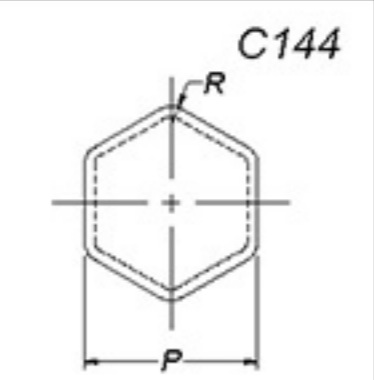
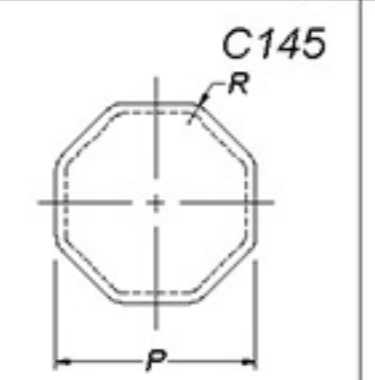
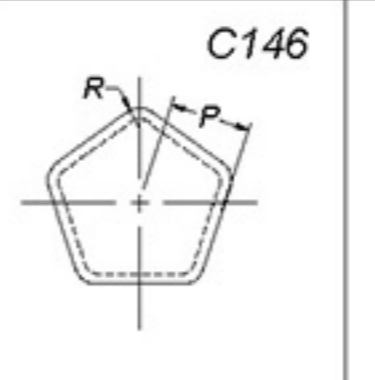
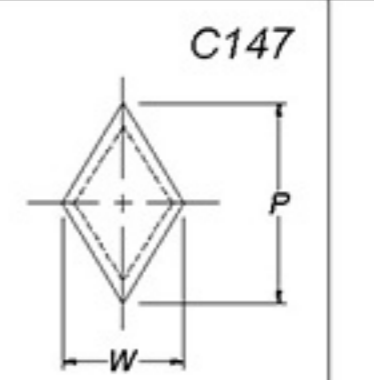
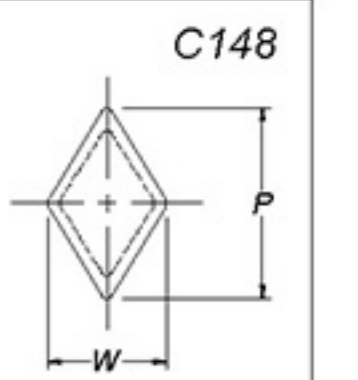
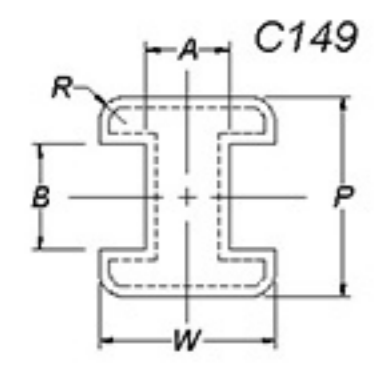
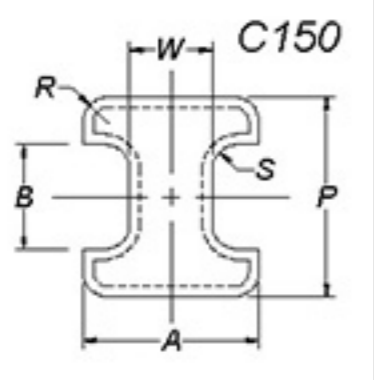
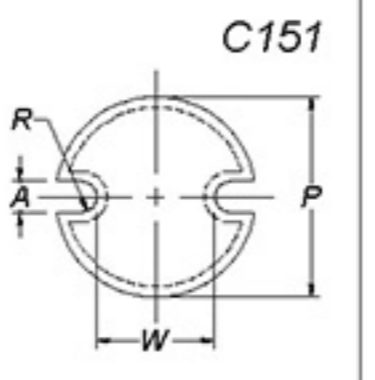
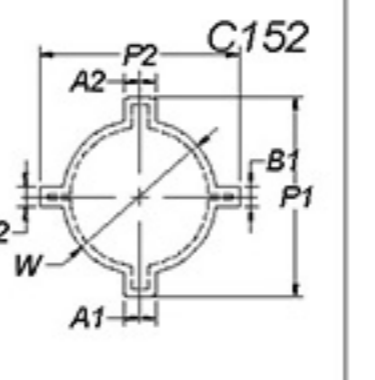
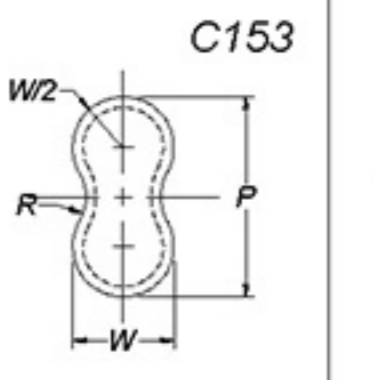
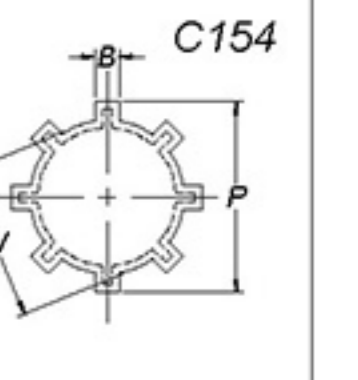
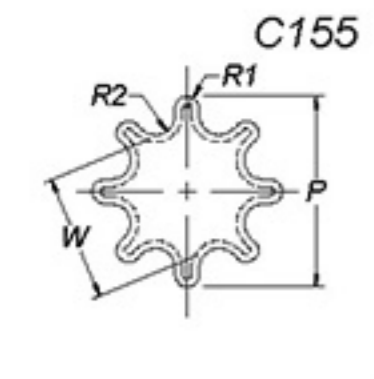
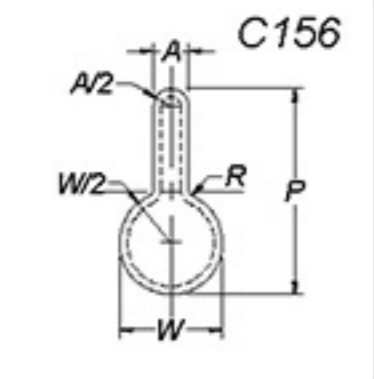
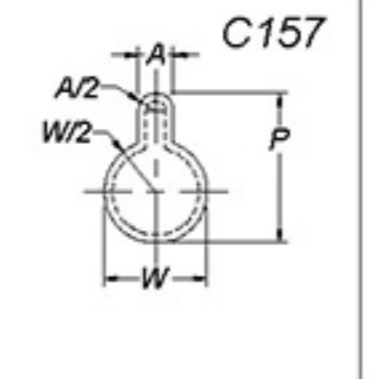
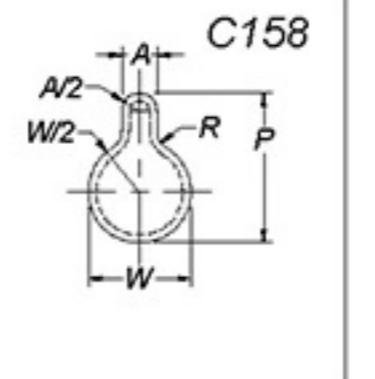
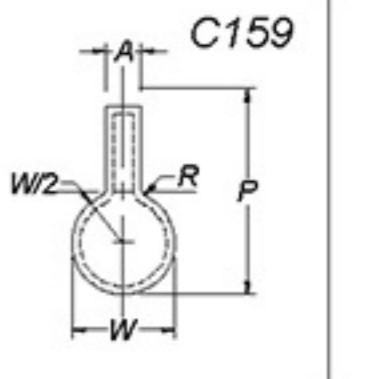
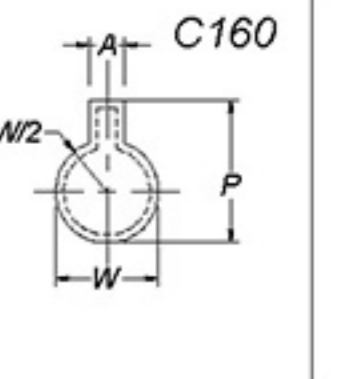
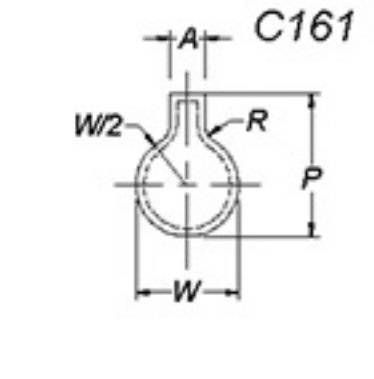
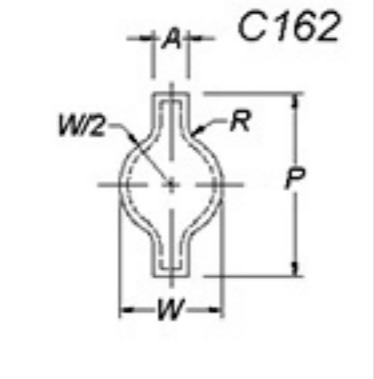
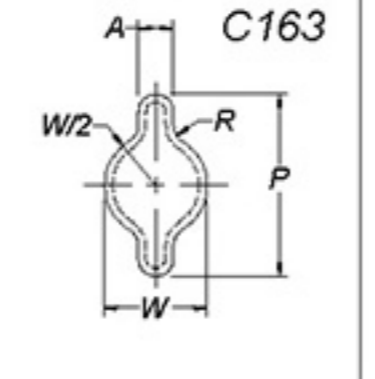
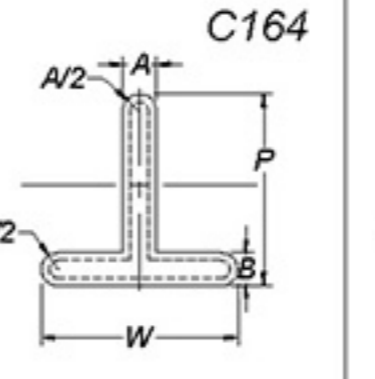
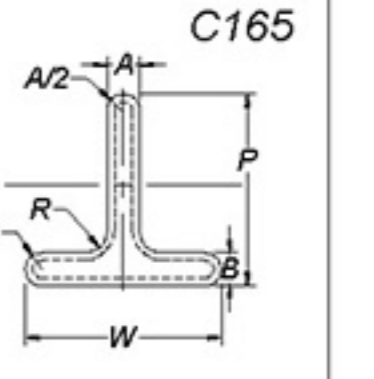
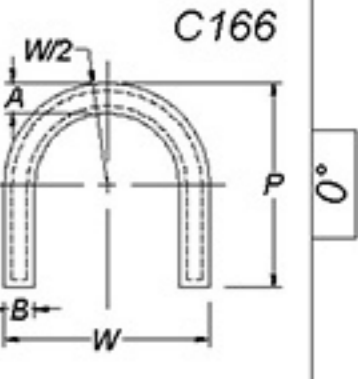
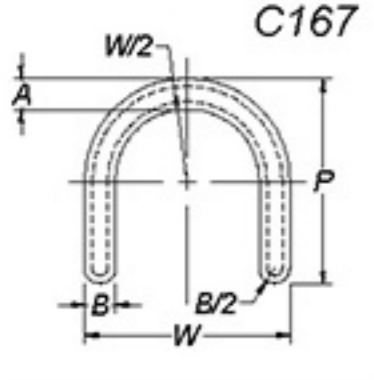
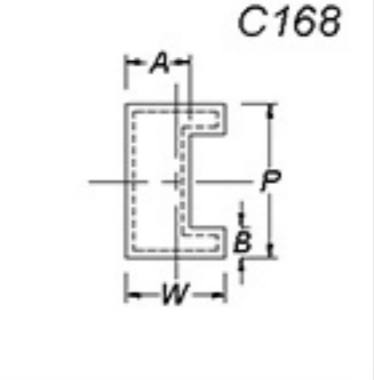
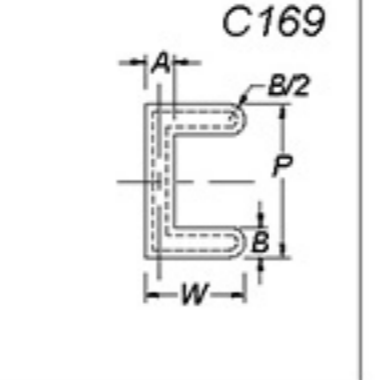
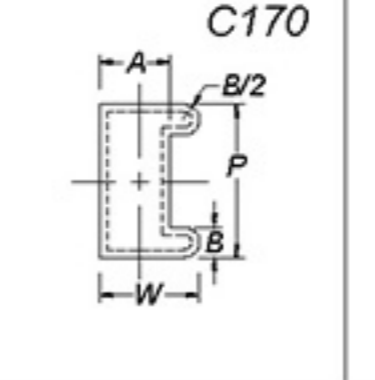
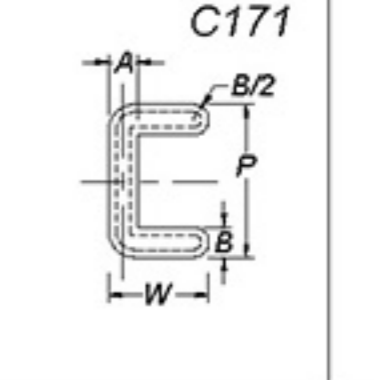
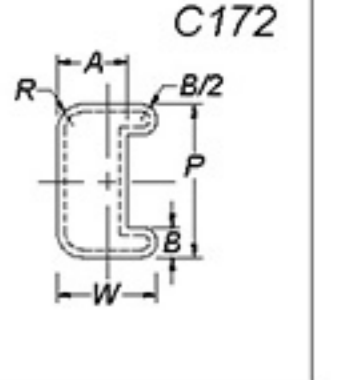
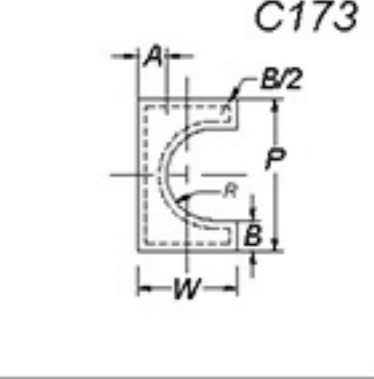
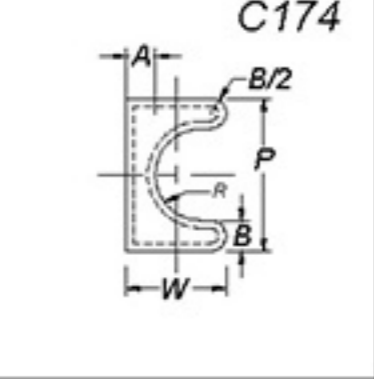
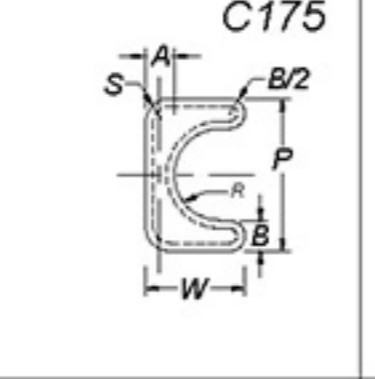
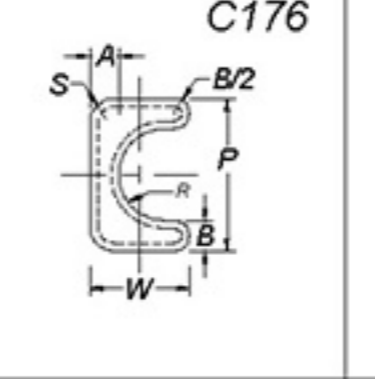
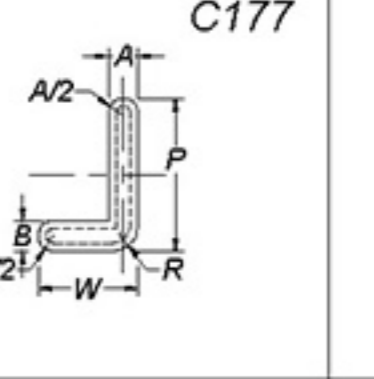
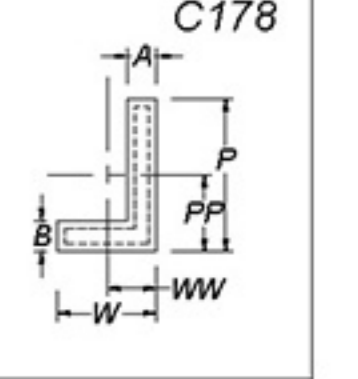
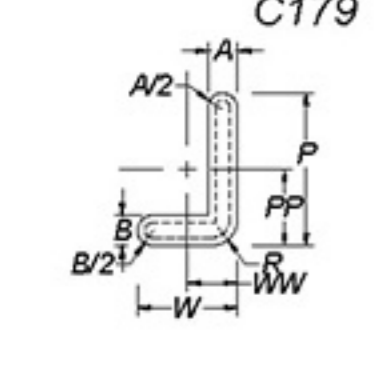
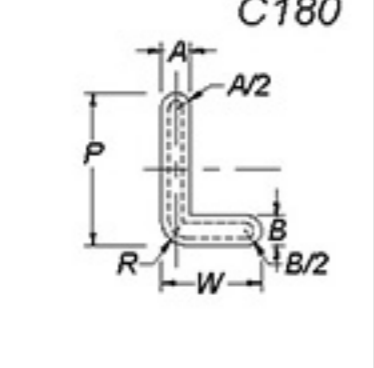
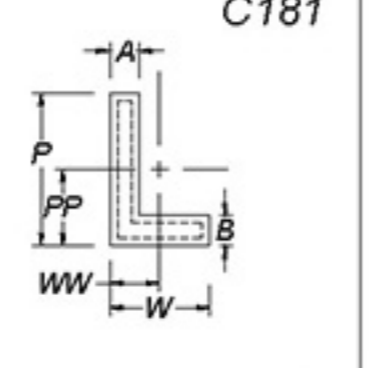
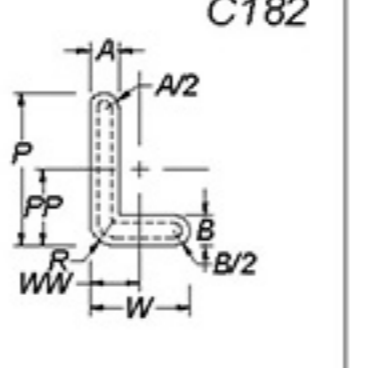
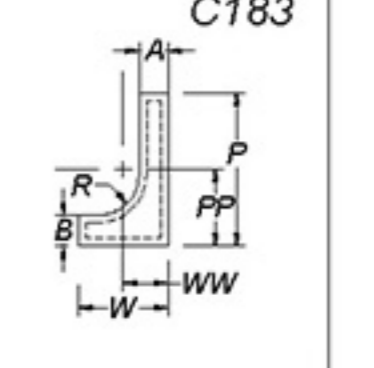
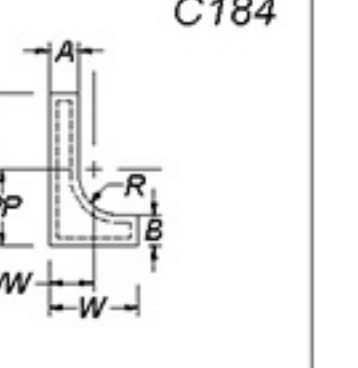
İsteğe bağlı olarak, verilen data ve resimlere göre imalat yapılır.

90°					
					
					
					
					
					
					
					

270°

ÖZEL FORMLAR

İsteğe bağlı olarak, verilen data ve resimlere göre imalat yapılır.

90°					
					
					
					
					
					
					
					
180°					
270°					

ZIMBA VE MATRİS KONUMLAMA STANDARTLARI

<p>BİLYALI ZİMBALAR BİLYA YUVASI KONUMLARI</p> <p>Aksi belirtilmedikçe standart konum geçerlidir.</p>	<p>Std. 90° 180° 0° 270°</p>	<p>90° 180° 0° 270°</p>	<p>90° 45° 180° 0° 270°</p>	<p>90° 180° 0° 270°</p>
SİPARİŞ ÖRNEĞİ	BPLO 13-13-63 M2 P10.0 W5.0 BS-90°	BPLS 13-13-63 M2 P10.0 W5.0 BS-0°	BPLO 13-13-63 M2 P10.0 W5.0 BS-45°	BPLS 13-13-63 M2 P10.0 W5.0 BS-22.5°

<p>ŞAPKALI ZİMBALAR KAMA KONUMLARI</p> <p>K2 = Düz kama @ 0° K3 = Düz kama @ 0° & 180° K4 = Pim slot @ 0°</p> <p>Aksi belirtilmedikçe standart konum geçerlidir.</p>	<p>90° 180° 0° Std. 270°</p>	<p>90° 180° 0° 270°</p>	<p>90° 45° 180° 0° 270°</p>	<p>90° 180° 0° 270°</p>
SİPARİŞ ÖRNEĞİ	GPSO 13-13-63 M2 P10.0 W5.0 K2-0°	GPSS 13-13-63 M2 P10.0 W5.0 K2-90°	GPSO 13-13-63 M2 P10.0 W5.0 K2-45°	GPSS 13-13-63 M2 P10.0 W5.0 K4-22.5°

OTOMOTİV ENDÜSTRİ STANDARTLARI

<p>K0 Ø3,0 Pim Slot</p> <p>90° 180° 0° Std. 270°</p>	<p>K4 Ø4,0 Pim Slot</p> <p>90° 180° 0° Std. 270°</p> <table border="1"> <tr><th>D (çap)</th><th>F</th></tr> <tr><td>10</td><td>6,0</td></tr> <tr><td>13</td><td>7,2</td></tr> <tr><td>16 & üst</td><td>D/2</td></tr> </table>	D (çap)	F	10	6,0	13	7,2	16 & üst	D/2	<p>K61 Ø6,0 Pim Slot NAAMS Standardı</p> <p>90° 180° 0° Std. 270°</p> <table border="1"> <tr><th>D (çap)</th><th>F</th></tr> <tr><td>10</td><td>7,0</td></tr> <tr><td>13</td><td>8,2</td></tr> <tr><td>16</td><td>9,0</td></tr> <tr><td>20</td><td>11,0</td></tr> <tr><td>22</td><td>12,0</td></tr> <tr><td>25</td><td>13,5</td></tr> <tr><td>32 & üst</td><td>D/2</td></tr> </table>	D (çap)	F	10	7,0	13	8,2	16	9,0	20	11,0	22	12,0	25	13,5	32 & üst	D/2	<p>K80 Düz kama</p> <p>90° 180° 0° Std. 270°</p>	<p>K85 Faturalı Düz kama</p> <p>90° 180° 0° Std. 270° F G</p> <table border="1"> <tr><th>D (çap)</th><th>F</th><th>G</th></tr> <tr><td>10 - 16</td><td>6,0</td><td>6,0</td></tr> <tr><td>20 & üst</td><td>7,2</td><td>7,2</td></tr> </table>	D (çap)	F	G	10 - 16	6,0	6,0	20 & üst	7,2	7,2
D (çap)	F																																				
10	6,0																																				
13	7,2																																				
16 & üst	D/2																																				
D (çap)	F																																				
10	7,0																																				
13	8,2																																				
16	9,0																																				
20	11,0																																				
22	12,0																																				
25	13,5																																				
32 & üst	D/2																																				
D (çap)	F	G																																			
10 - 16	6,0	6,0																																			
20 & üst	7,2	7,2																																			